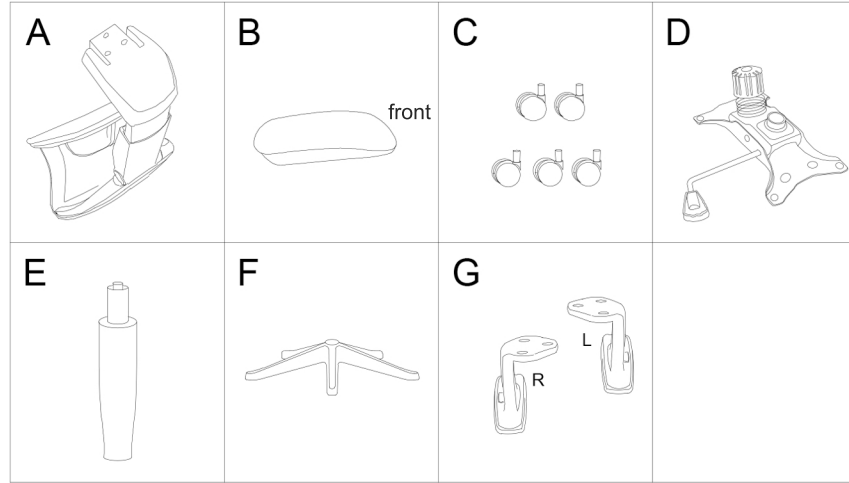


JETSON AERO OFFICE CHAIR ASSEMBLY INSTRUCTIONS

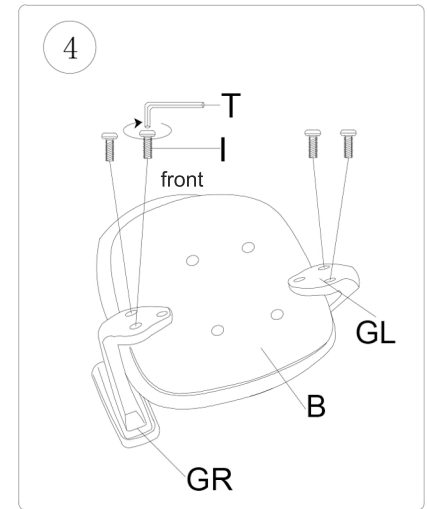
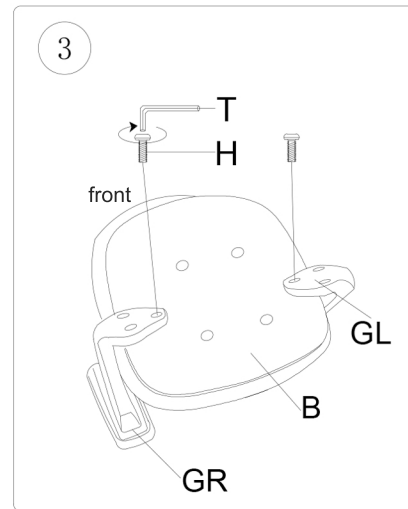
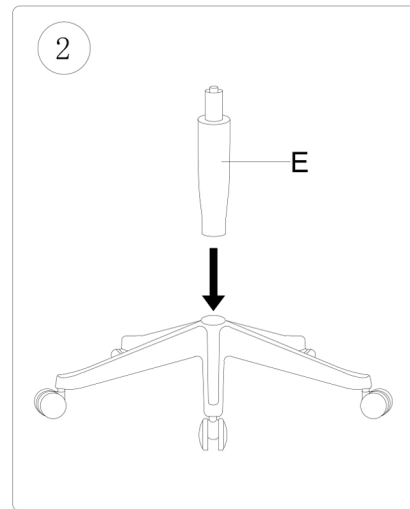
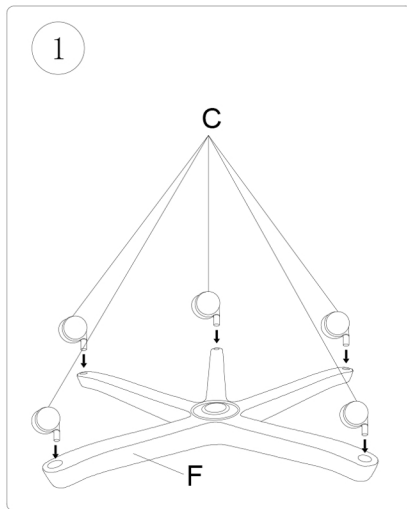
Before assembly please check you have all parts listed below.

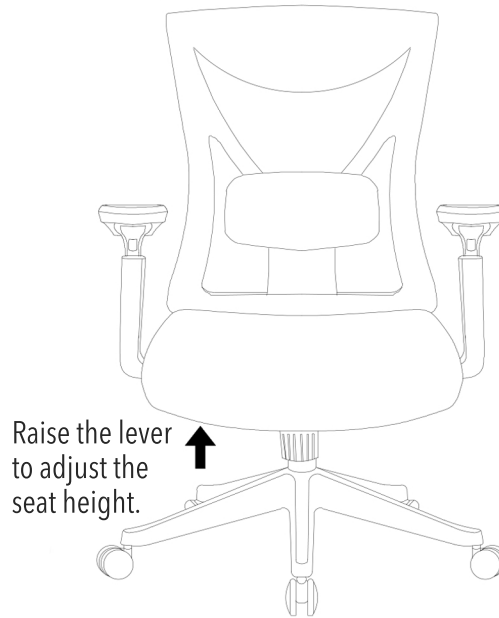
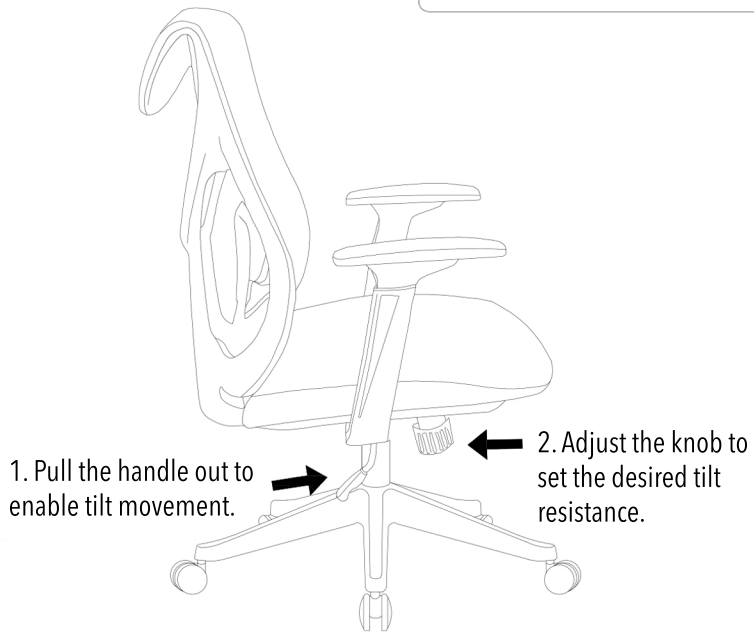
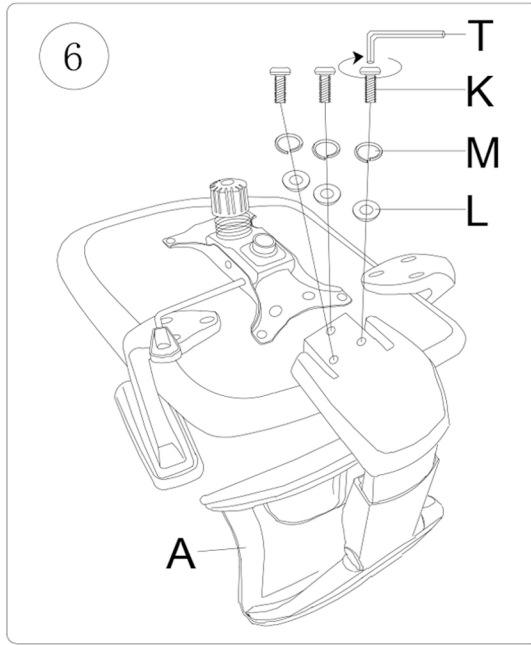
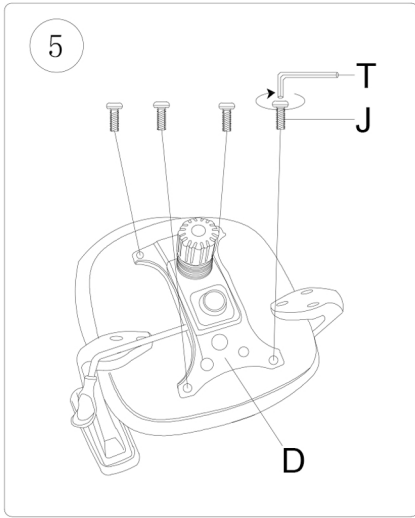
PLEASE NOTE: We've tried to make this chair as easy to assemble as possible.

In the unlikely event you have problems putting it together or missing pieces, please call 1300 272 926.



H x2+1 (M6*35MM) 	L x3+1 (M8*17*1.5MM)
I x4+1 (M6*45MM) 	M x3+1 (M8)
J x4+1 (M6*25MM) 	T x1
K x3+1 (M8*60MM) 	





3. Return chair to upright position, then push lever in to lock upright.

WARNING

FAILURE TO FOLLOW THESE INSTRUCTIONS
MAY RESULT IN SERIOUS INJURY

1. THIS PRODUCT IS DESIGNED FOR SEATING ONLY . DO NOT STAND ON THIS PRODUCT. DO NOT USE IT AS A STEP LADDER
2. DO NOT USE THIS PRODUCT UNLESS ALL BOLTS AND PARTS ARE FIRMLY TIGHTENED.
3. IF ANY PARTS ARE MISSING, DAMAGED OR WORN ,STOP USING THIS PRODUCT. REPAIR THE PRODUCT WITH THE REPLACEMENT PARTS FROM MANUFACTURER.
4. DO NOT SIT ON THE ARMREST OF THIS PRODUCT.
5. THIS PRODUCT IS DESIGNED FOR ONE PERSON SITTING AT A TIME .
6. KEEP OUT OF REACH OF CHILDREN UNDER THE AGE OF 10 UNLESS ASSISTANCE FROM AN ADULT IS PROVIDED.