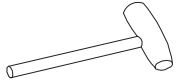
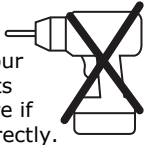


FABDC

You will also need a rubber mallet

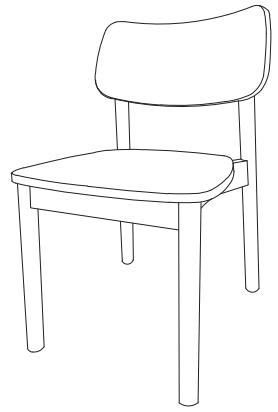


Never use power tools unless specifically instructed. They can damage your components or hardware if used incorrectly.



# Lucio

## Assembly Instructions Fabian Chair



Before assembly please check you have all parts listed below.

Please assemble on a clean and flat surface, such as carpet or cardboard to prevent scratches

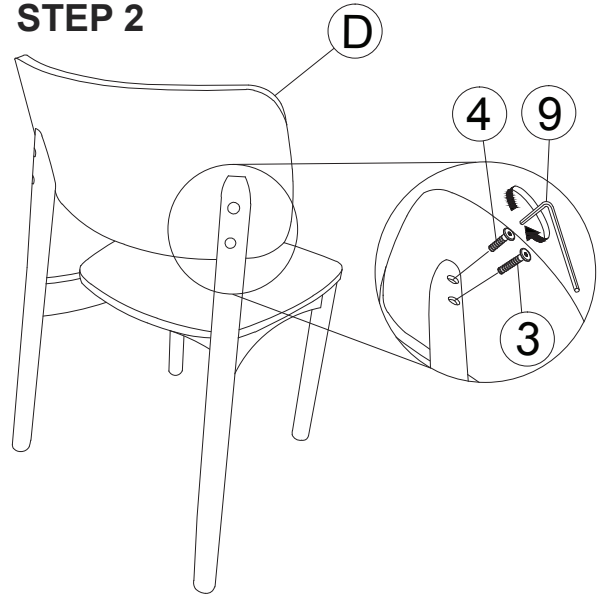
(do not assemble on your floor). PLEASE NOTE: We've tried to make this chair as easy to assemble as possible.

In the unlikely event you have problems putting it together or missing pieces, please contact us. Details below.

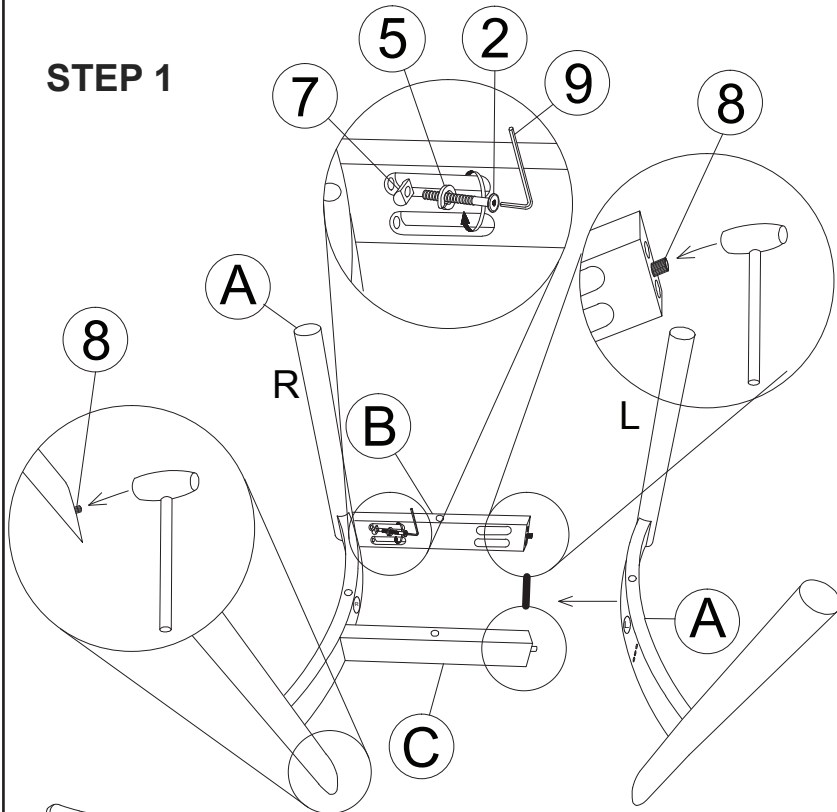
### PARTS LIST

<b>A legs</b>  X 2	<b>B front rail (large)</b>  X 1	<b>1 JCBC BOLT M6 X 75MM</b>  X 4	<b>2 JCBC BOLT M6 X 50MM</b>  X 8	<b>3 JCBC BOLT M6 X 40MM</b>  X 2	<b>4 JCBC BOLT M6 X 25MM</b>  X 2	<b>5 SPRING WASHER 5/16"</b>  X 12
<b>D back rest</b>  X 1	<b>E seat</b>  X 1	<b>6 FLAT WASHER 6 X 13MM</b>  X 4	<b>7 SCREW PIN 15 X 15MM</b>  X 8	<b>8 WOOD DOWEL M10 X 30MM</b>  X 6	<b>9 ALLEN KEY M4 (BALL SHAPE)</b>  X 1	<b>10 PLASTIC SUKER</b>  X 4

### STEP 2

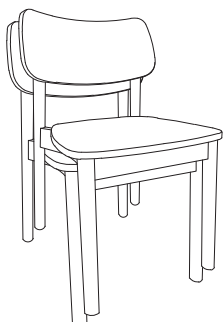
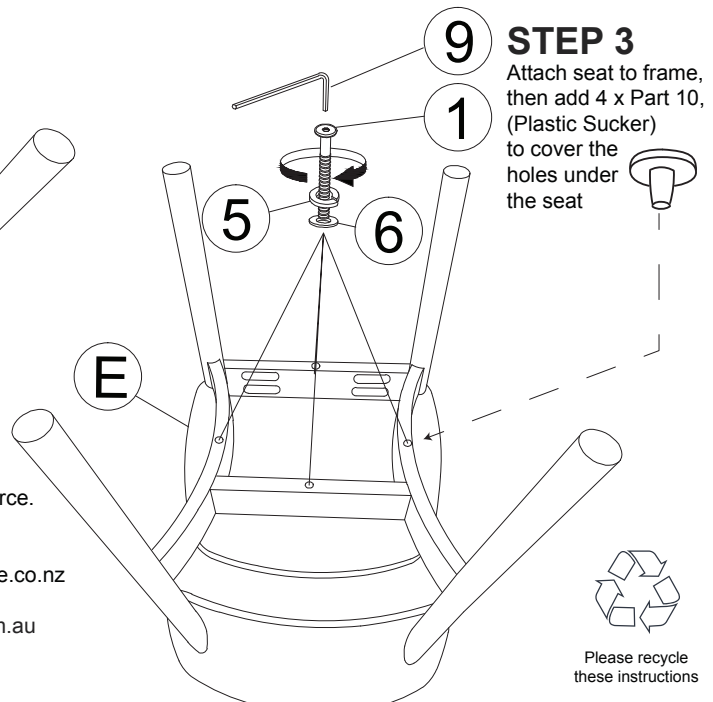


### STEP 1



### STEP 3

Attach seat to frame, then add 4 x Part 10, (Plastic Sucker) to cover the holes under the seat



Fabian is Stackable

Exclusively distributed in AU and NZ by Chairforce. Thank you for your purchase.

To learn more about our products please visit [www.chairforce.com.au](http://www.chairforce.com.au) and [www.chairforce.co.nz](http://www.chairforce.co.nz)

AU: Call: 08 9436 8570

Email: [customer@brayco.com.au](mailto:customer@brayco.com.au)

NZ: Call: 09 271 5000

Email: [sales@chairforce.co.nz](mailto:sales@chairforce.co.nz)



Please recycle these instructions