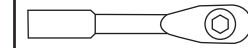


pablo

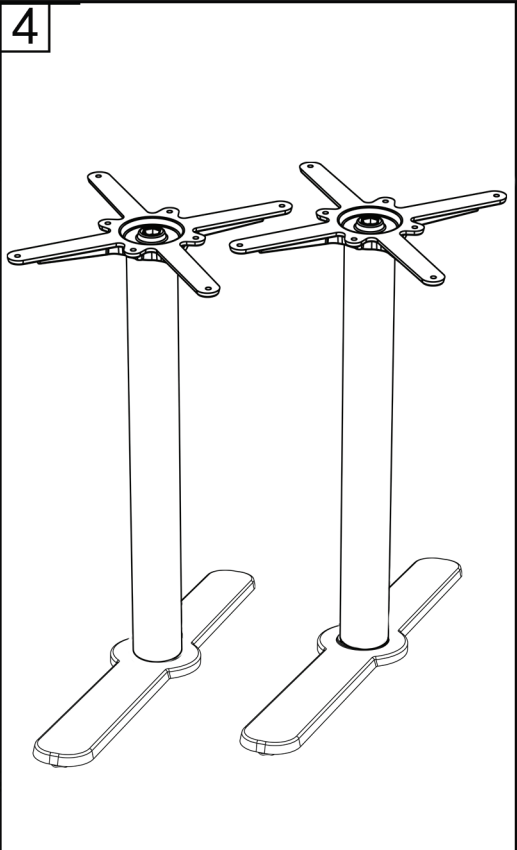
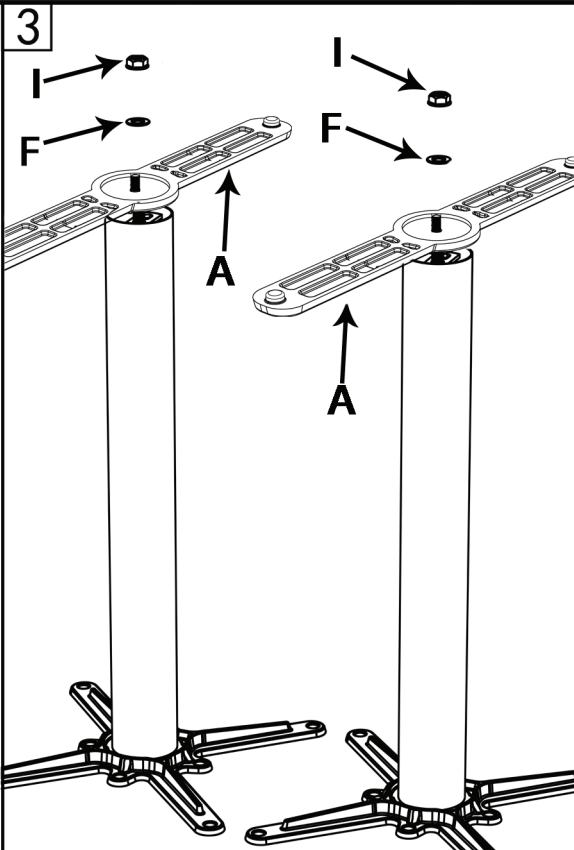
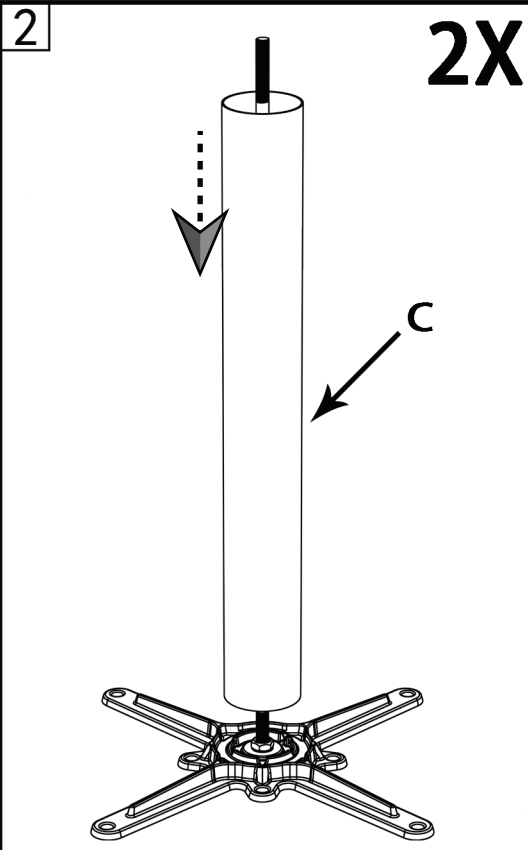
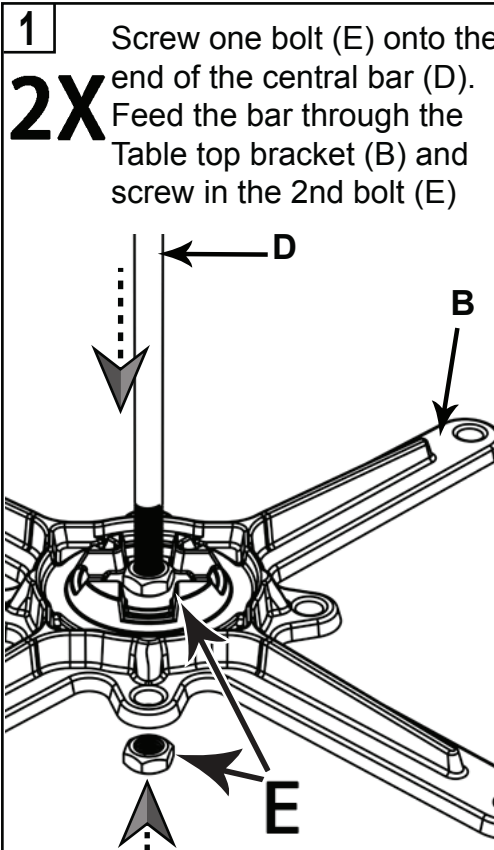
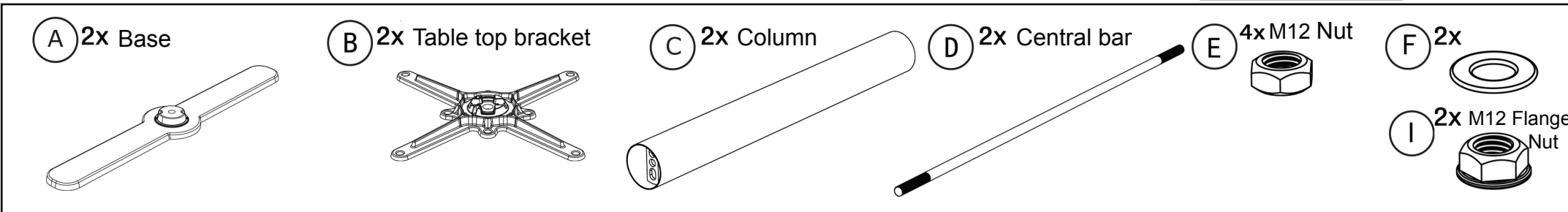
Assembly Instructions Roberta Base – Set of 2 Legs

Please assemble on a clean and flat surface, such as carpet or cardboard to prevent scratches (do not assemble on your floor). PLEASE NOTE: We've tried to make this table base as easy to assemble as possible. In the unlikely event you have problems putting it together or missing pieces, please contact us. Details below.

You will also need a 19mm deep socket



ROBDINDB-BK



Exclusively distributed in AU and NZ by Chairforce. Thank you for your purchase. To learn more about our products please visit www.chairforce.com.au and www.chairforce.co.nz

AU: Call: 08 9436 8570
NZ: Call: 09 271 5000

Email: customer care@brayco.com.au
Email: sales@chairforce.co.nz

