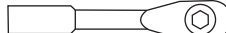




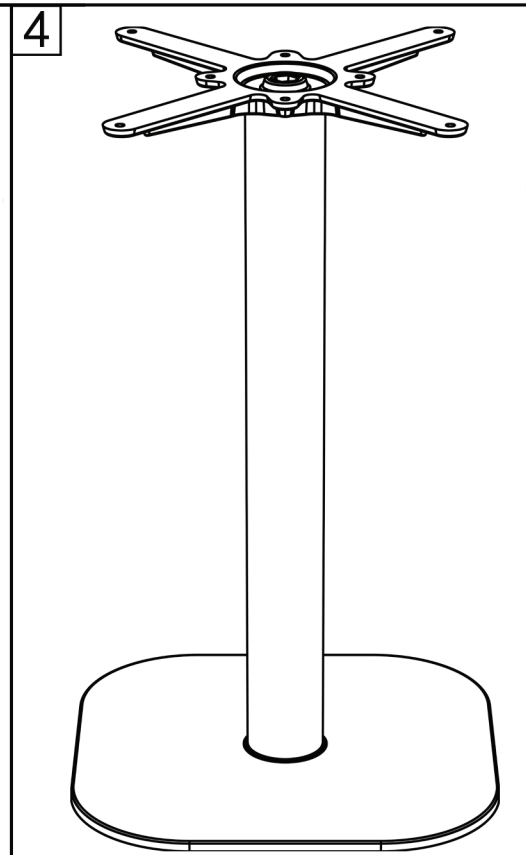
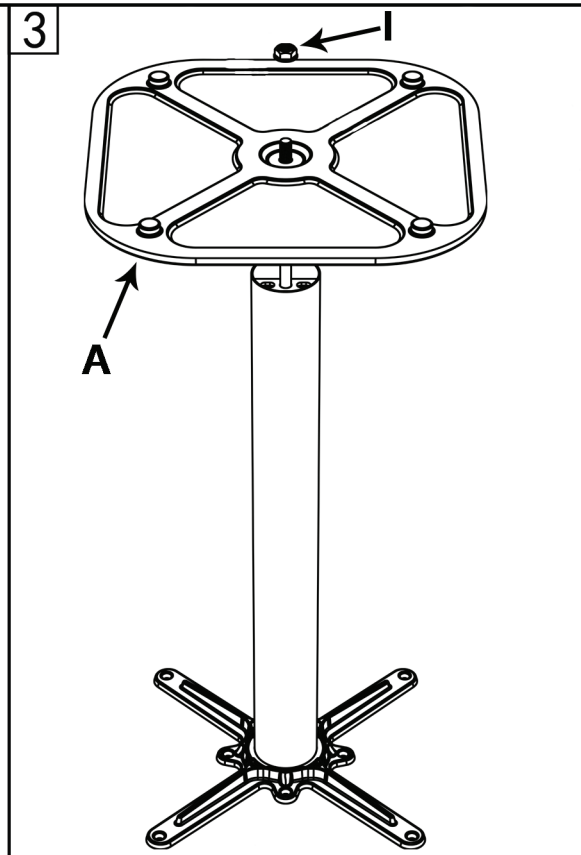
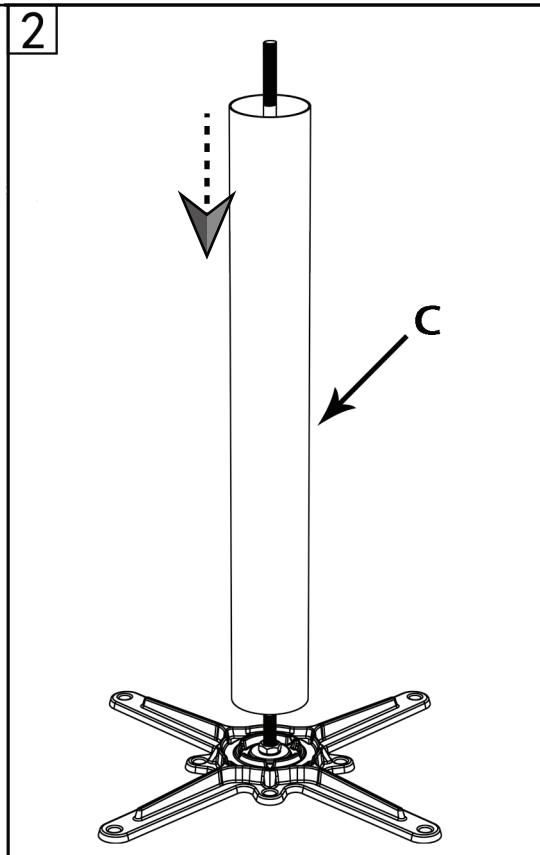
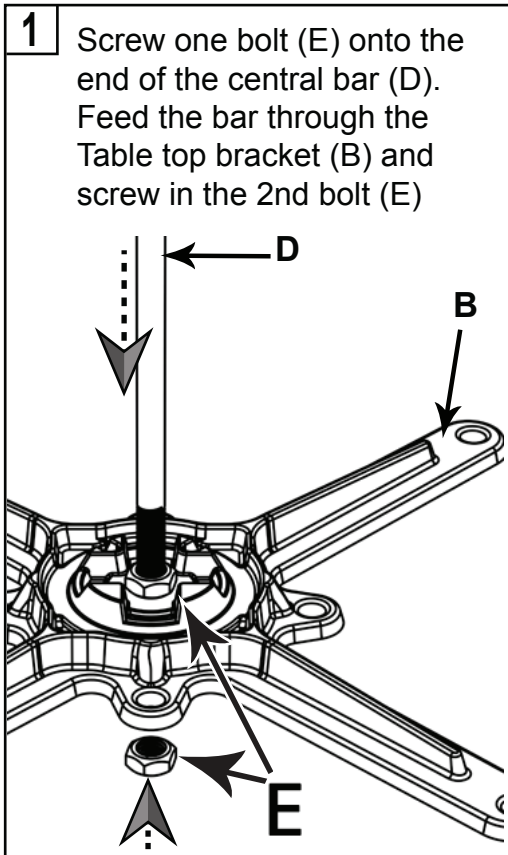
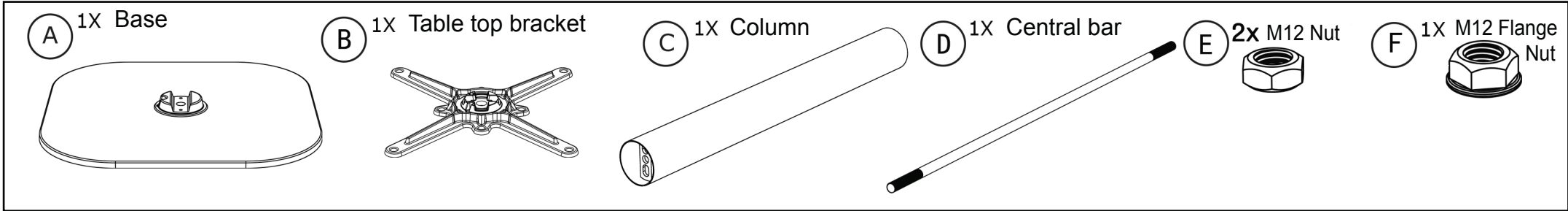
## Assembly Instructions Michel Table and Bar Base

Please assemble on a clean and flat surface, such as carpet or cardboard to prevent scratches (do not assemble on your floor). PLEASE NOTE: We've tried to make this table base as easy to assemble as possible. In the unlikely event you have problems putting it together or missing pieces, please contact us. Details below.

You will also need a  
19mm deep socket



**MICHBAR-BK**  
**MICHDIN-BK**



Exclusively distributed in AU and NZ by Chairforce. Thank you for your purchase. To learn more about our products please visit [www.chairforce.com.au](http://www.chairforce.com.au) and [www.chairforce.co.nz](http://www.chairforce.co.nz)

AU: Call: 08 9436 8570

Email: [customer care@brayco.com.au](mailto:customer care@brayco.com.au)

NZ: Call: 09 271 5000

Email: [sales@chairforce.co.nz](mailto:sales@chairforce.co.nz)



Please recycle  
these instructions