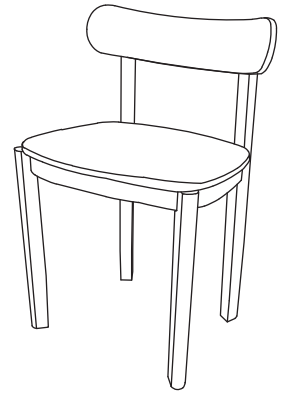


LEON



# Assembly Instructions Leon Chair



Never use power tools unless instructed.

You will need a rubber mallet and a screw driver

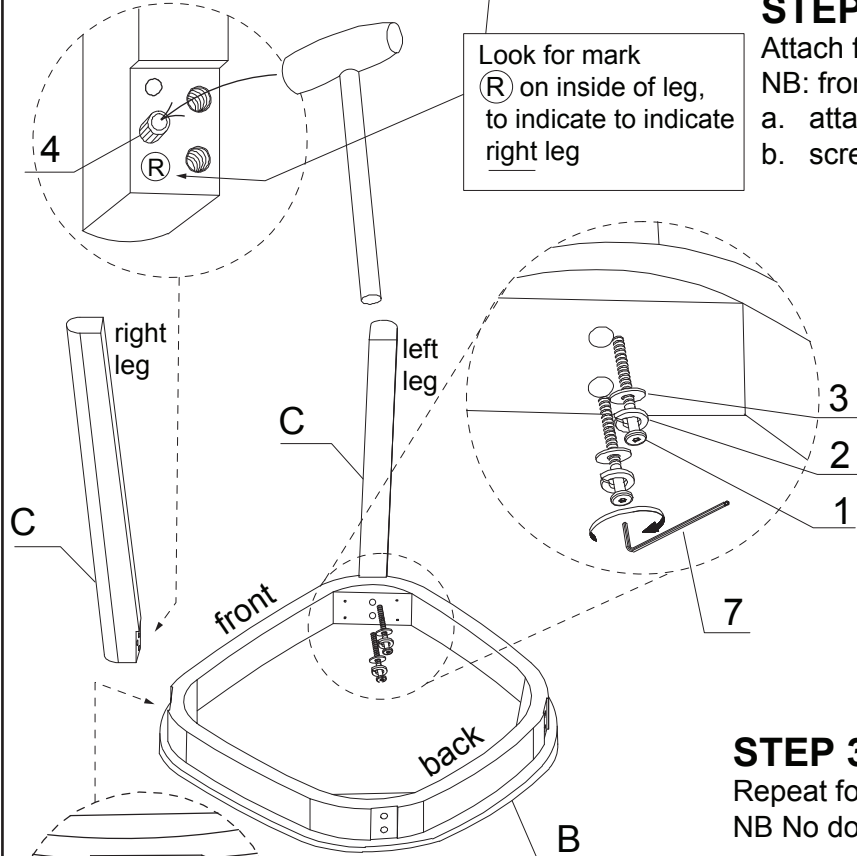
Before assembly please check you have all parts listed below.  
Please assemble on a clean and flat surface, such as carpet or cardboard to prevent scratches (do not assemble on your floor). PLEASE NOTE: We've tried to make this chair as easy to assemble as possible. In the unlikely event you have problems putting it together or missing pieces, please contact us. Details below.

## PARTS LIST

<b>A backrest (&amp; back legs)</b> <p>X 1</p>	<b>B seat</b> <p>X 2</p>	<b>1 JCBC BOLT M6 X 60MM (BLK)</b> <p>X 8</p>	<b>2 SPRING WASHER 5/16" (RB)</b> <p>X 8</p>	<b>3 FLAT WASHER M8 X 18MM (RB)</b> <p>X 8</p>	<b>4 WOOD DOWEL M10 X 30MM</b> <p>X 2</p>
	<b>C front legs (left &amp; right)</b> <p>X 2</p>	<b>5 L BRACKET</b> <p>X 2</p>	<b>6 PH SCREW 4 X 16MM</b> <p>X 4</p>	<b>7 ALLEN KEY M4 (BALL SHAPE)</b> <p>X 1</p>	<p>Please recycle these instructions</p>

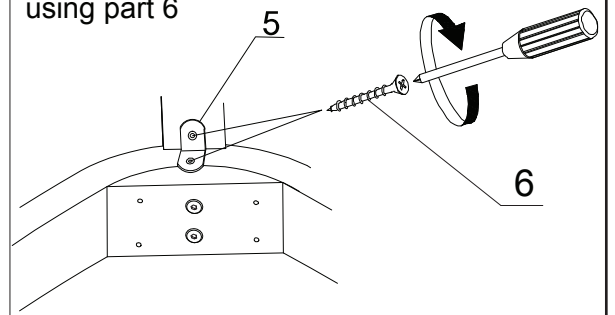
### STEP 1

Attach front legs to seat  
NB: front of seat is wider than the back  
a. attach 1 dowel to each leg (C)  
b. screw to seat



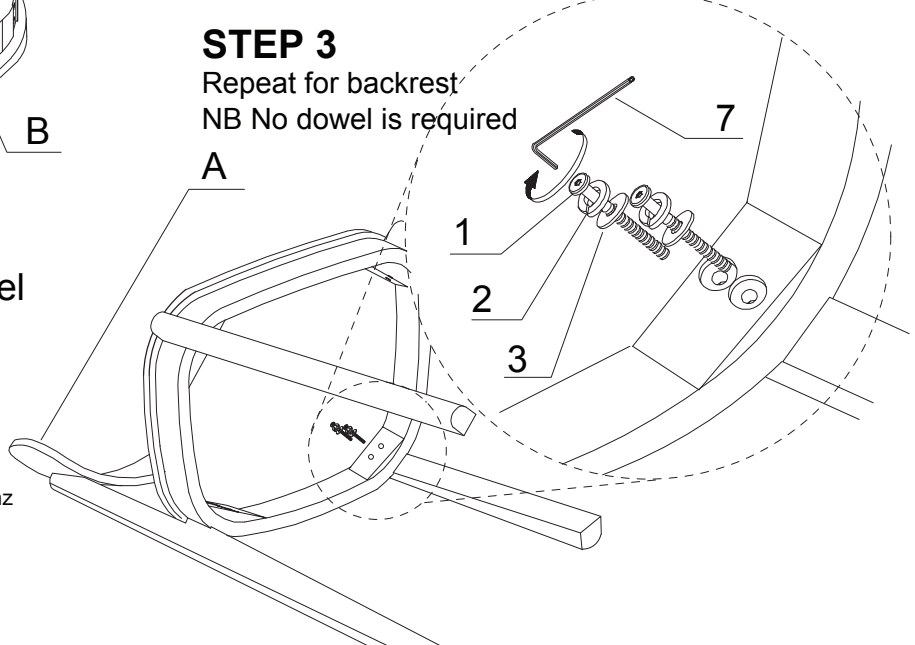
### STEP 2

Attach L Bracket X 2 front legs, using part 6



### STEP 3

Repeat for backrest  
NB No dowel is required



Exclusively distributed in AU and NZ by Chairforce.  
Thank you for your purchase.  
To learn more about our products please visit [www.chairforce.com.au](http://www.chairforce.com.au) and [www.chairforce.co.nz](http://www.chairforce.co.nz)  
**AU:** Call: 08 9436 8570  
 Email: [customer@brayco.com.au](mailto:customer@brayco.com.au)  
**NZ:** Call: 09 271 5000  
 Email: [sales@chairforce.co.nz](mailto:sales@chairforce.co.nz)