



Assembly Instructions Ivan Table and Bar Base

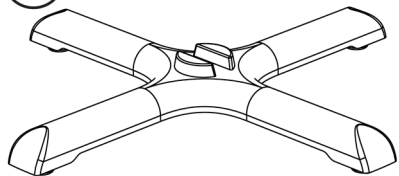
Please assemble on a clean and flat surface, such as carpet or cardboard to prevent scratches (do not assemble on your floor). PLEASE NOTE: We've tried to make this table base as easy to assemble as possible. In the unlikely event you have problems putting it together or missing pieces, please contact us. Details below.

You will also need a
19mm deep socket

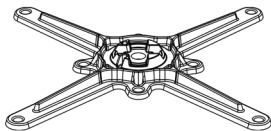


IVANBAR-BK
IVANBAR-WH
IVANDIN-BK
IVANDIN-WH

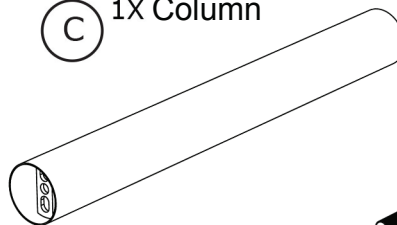
A 1X Base



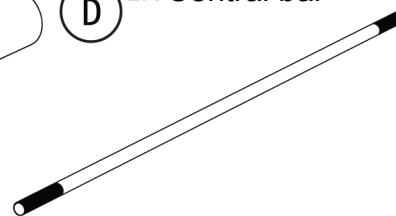
B 1X Table top bracket



C 1X Column



D 1X Central bar



E 2x M12 Nut



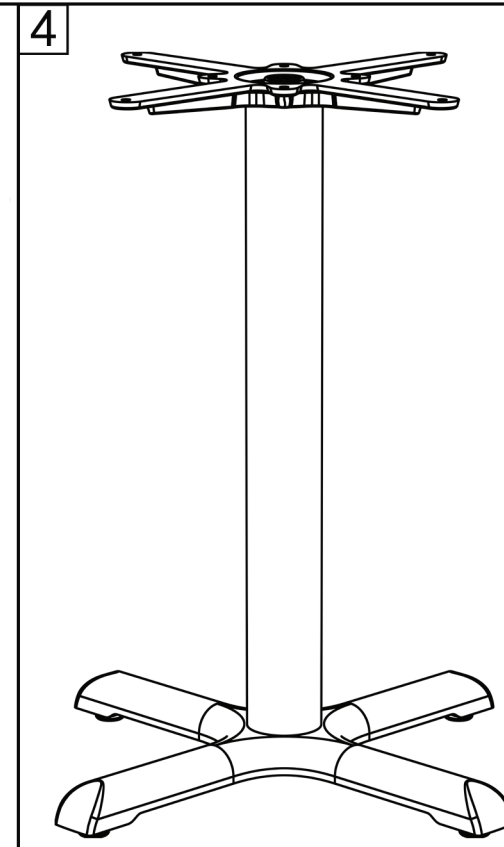
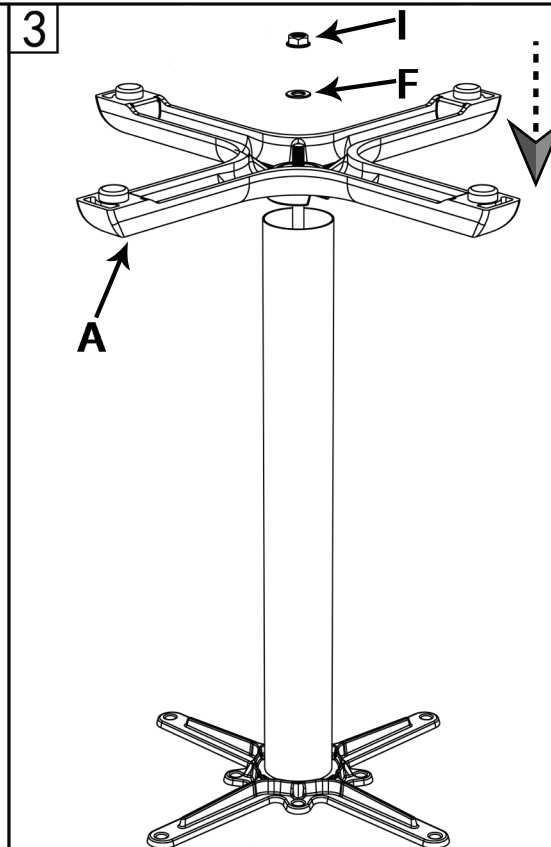
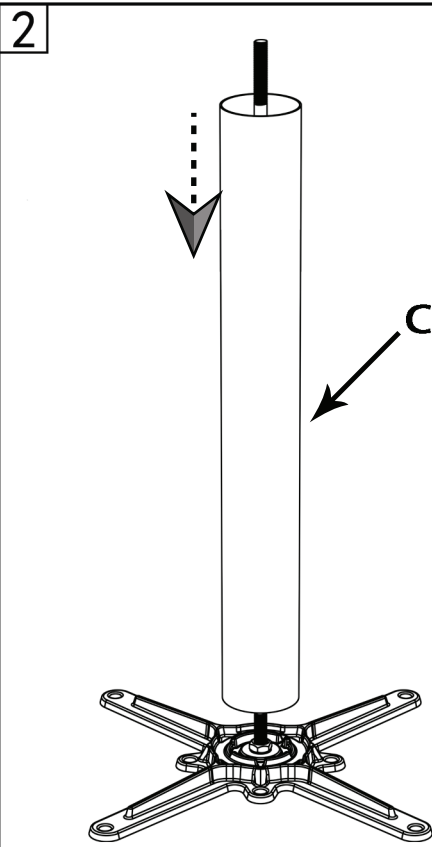
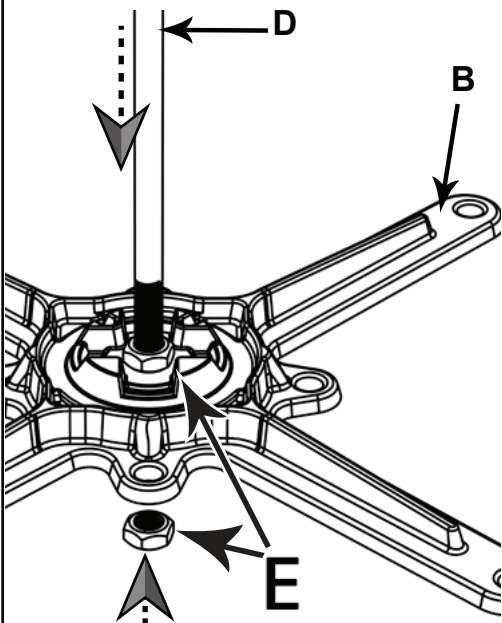
F 1X



I 1X M12 Flange Nut



1 Screw one bolt (E) onto the end of the central bar (D). Feed the bar through the Table top bracket (B) and screw in the 2nd bolt (E)



Exclusively distributed in AU and NZ by Chairforce. Thank you for your purchase. To learn more about our products please visit www.chairforce.com.au and www.chairforce.co.nz

AU: Call: 08 9436 8570

Email: customer@brayco.com.au

NZ: Call: 09 271 5000

Email: sales@chairforce.co.nz



Please recycle
these instructions