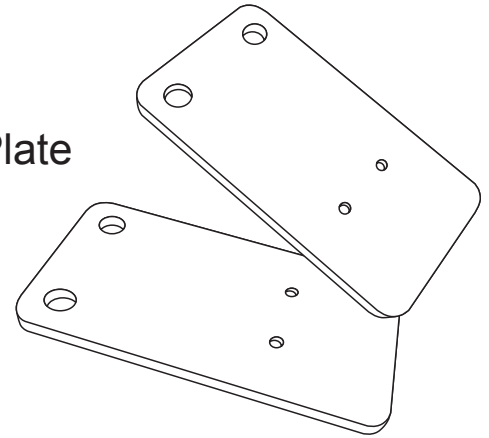


CORSPIC-PLATE-BK
CORSPIC-PLATE-WH

Suitable for:
CORSPIC166X180
CORSPIC190X220



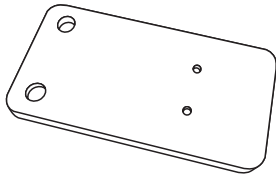
Assembly Instructions Corsica Picnic Table Floor Plate



Before assembly please check you have all parts listed below.

PARTS LIST

A Floor Plate



x 8

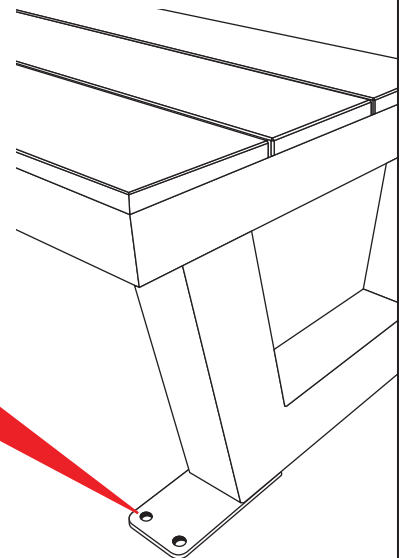
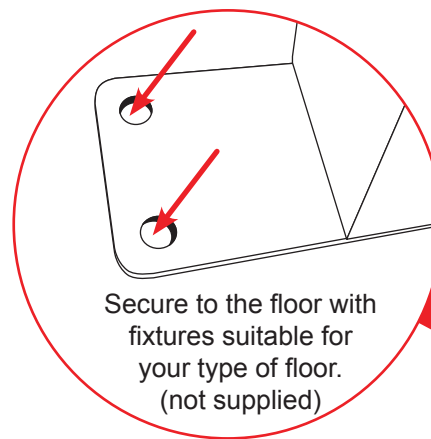
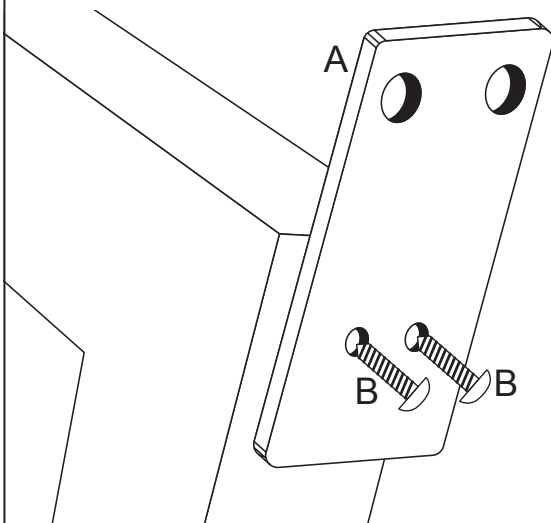
B 16mm screws



x 16

ASSEMBLY

1. Unscrew the standard rubber foot on the bottom of the picnic table leg. (2 screws)
2. Attach the floor plate (A). Position the floor plate over the holes where the standard foot was removed. Use 2 x 16mm long screws (supplied - part B) to secure the floor plate. DO NOT use the screws removed from standard feet to secure the floor plate.
3. Once all plates are screwed into the table legs, use Dynabolts (not supplied) or appropriate fixtures to secure the table to the floor.



Care & Maintenance

- Your aluminium and polywood table can be cleaned with everyday detergent.
 - To clean use a mixture of mild soap detergent (a dash of washing liquid will be fine) and water and simply wipe with a cloth, sponge or use a hose. After washing, thoroughly rinse with water.
- Do not use abrasive or strong chemicals to clean it, eg alcohol, petrol etc.



Scan to view
video online

Thank you for your purchase.

To learn more about our products please visit www.chairforce.com.au and www.chairforce.co.nz

AU: Call: 08 9436 8570

Email: customer@brayco.com.au

NZ: Call: 09 271 5000

Email: sales@chairforce.co.nz



Please recycle
these instructions