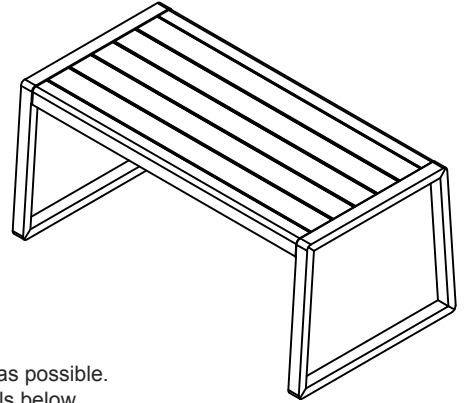




CORSICA

Assembly Instructions Luna Dining Table



Before assembly please check you have all parts listed below.

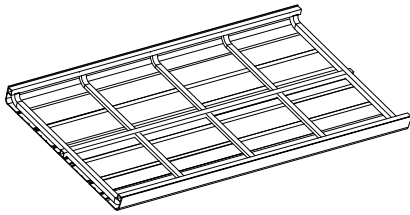
Please assemble on a clean and flat surface, such as carpet or cardboard to prevent scratches

(do not assemble on your floor). PLEASE NOTE: We've tried to make this table as easy to assemble as possible.

In the unlikely event you have problems putting it together or missing pieces, please contact us. Details below.

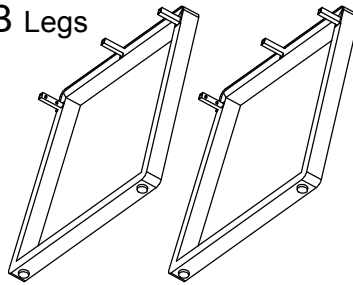
PARTS LIST

A Table Top



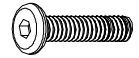
X 1

B Legs



X 2

1 Screws M6 X 20MM

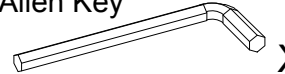


X 12

Chairforce code:

SCREW-FC15-HEXM6X20PACK12

2 Allen Key



X 1

STEP 1

You will need:

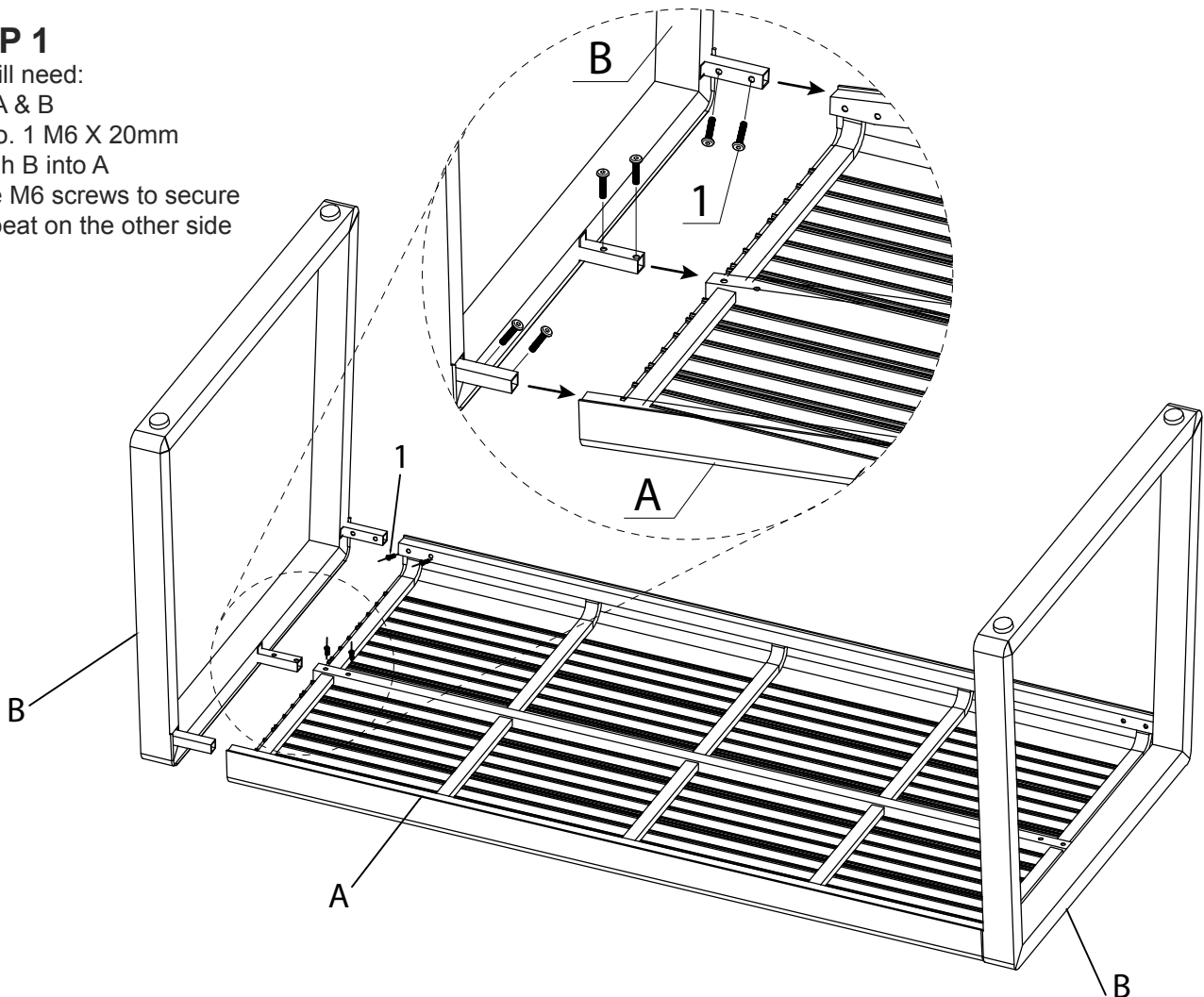
parts A & B

part no. 1 M6 X 20mm

a. Push B into A

b. Use M6 screws to secure

c. Repeat on the other side



Exclusively distributed in AU and NZ by Chairforce.

Thank you for your purchase. To learn more about our products please visit www.chairforce.com.au and www.chairforce.co.nz

AU: Call: 08 9436 8570

Email: customercare@brayco.com.au

NZ: Call: 09 271 5000

Email: sales@chairforce.co.nz



Please recycle
these instructions