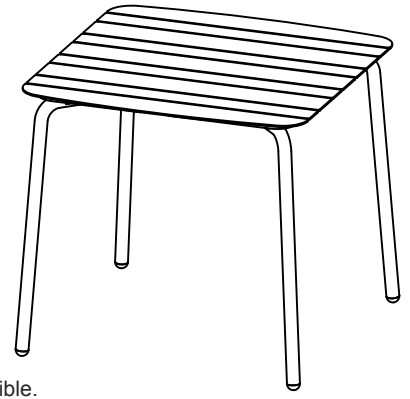




# CORSICA

## Assembly Instructions Antibes Dining Table

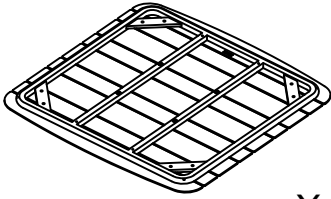


Before assembly please check you have all parts listed below.

Please assemble on a clean and flat surface, such as carpet or cardboard to prevent scratches (do not assemble on your floor). PLEASE NOTE: We've tried to make this table as easy to assemble as possible. In the unlikely event you have problems putting it together or missing pieces, please contact us. Details below.

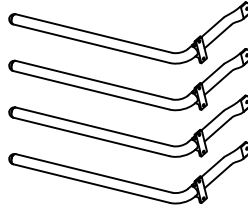
### PARTS LIST

#### A Table Top

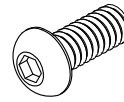


X 1

#### B Legs



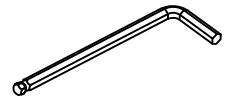
#### 1 Screw M8 X 20mm



X 12

Chairforce code:  
SCREW-FC15-HEXM8X20PACK12

#### 2 Allen Key



X 1

Chairforce code:  
SCREW-FC15-HEXWRENCH

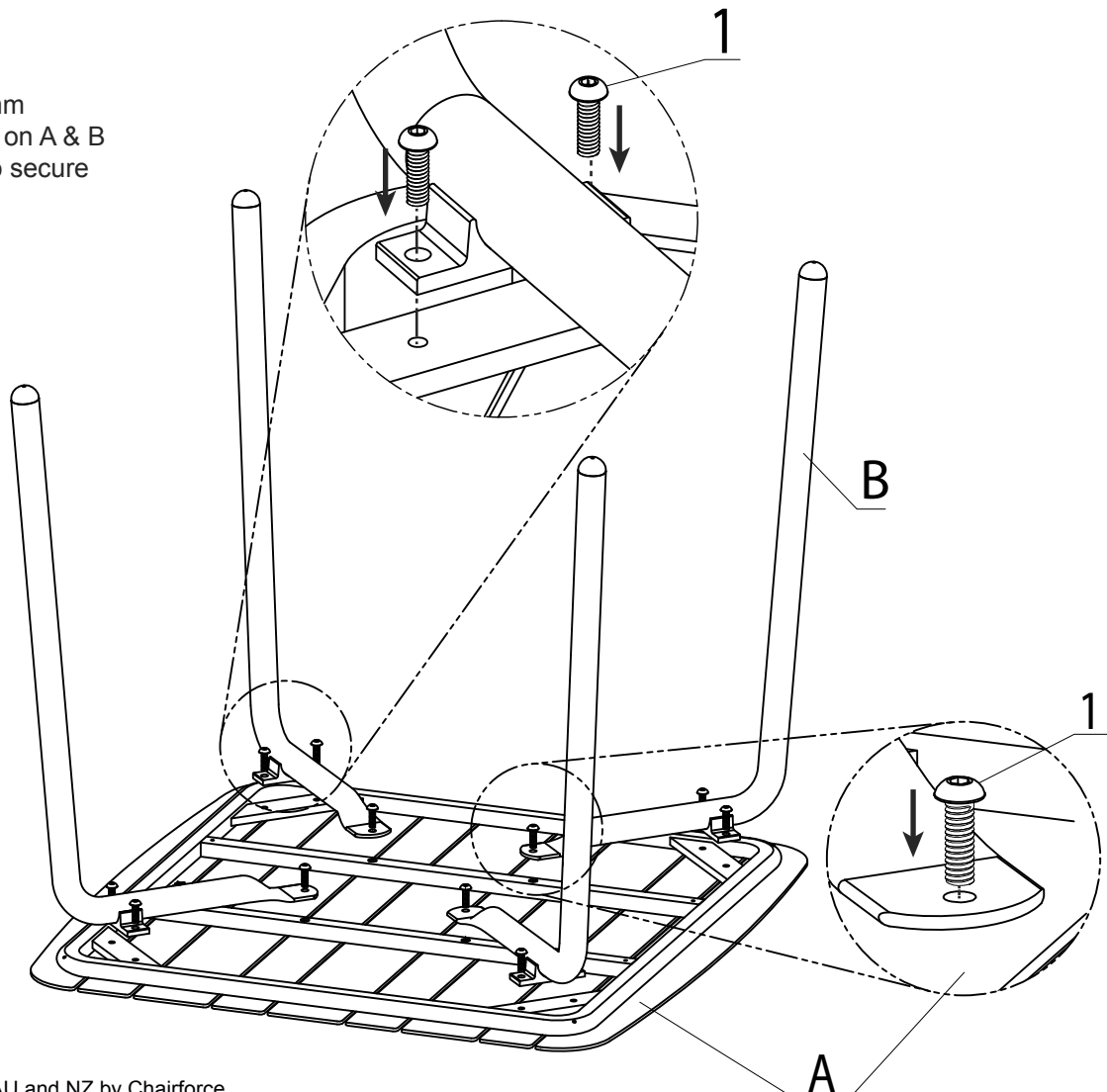
### STEP 1

You will need:

parts A & B

part no. 1 M8 X 20mm

- a. Align screw holes on A & B
- b. Use M8 screws to secure



Exclusively distributed in AU and NZ by Chairforce.

Thank you for your purchase. To learn more about our products please visit [www.chairforce.com.au](http://www.chairforce.com.au) and [www.chairforce.co.nz](http://www.chairforce.co.nz)

**AU:** Call: 08 9436 8570

Email: [customercare@brayco.com.au](mailto:customercare@brayco.com.au)

**NZ:** Call: 09 271 5000

Email: [sales@chairforce.co.nz](mailto:sales@chairforce.co.nz)



Please recycle  
these instructions