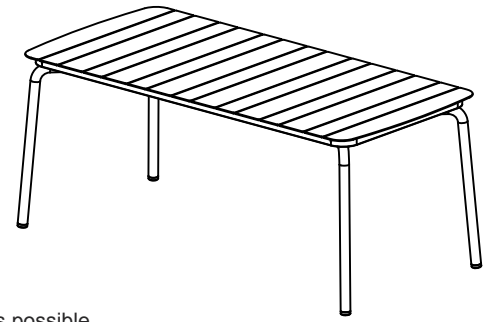




CORSICA

Assembly Instructions Antibes Dining Table

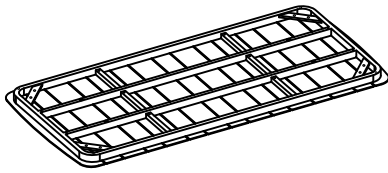


Before assembly please check you have all parts listed below.

Please assemble on a clean and flat surface, such as carpet or cardboard to prevent scratches (do not assemble on your floor). PLEASE NOTE: We've tried to make this table as easy to assemble as possible. In the unlikely event you have problems putting it together or missing pieces, please contact us. Details below.

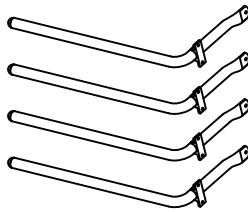
PARTS LIST

A Table Top

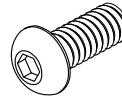


X 1

B Legs

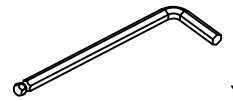


1 Screw
M8 X 25mm



X 12

2 Allen Key



X 1

Chairforce code:
SCREW-FC15-HEXWRENCH

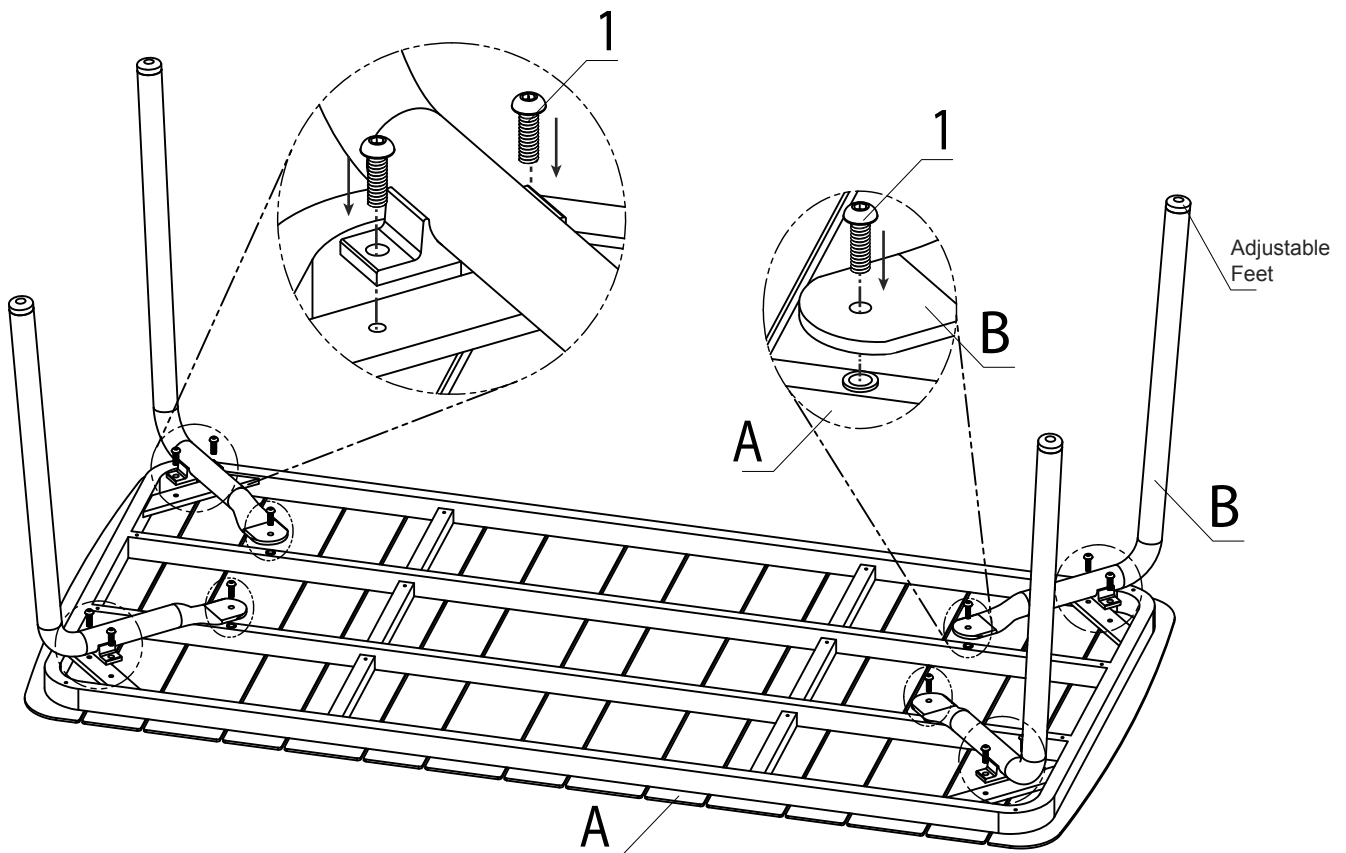
STEP 1

You will need:

parts A & B

part no. 1 M8 X 25mm

- Align screw holes on A & B
- Use M8 screws to secure



Exclusively distributed in AU and NZ by Chairforce.

Thank you for your purchase. To learn more about our products please visit www.chairforce.com.au and www.chairforce.co.nz

AU: Call: 08 9436 8570

Email: customercare@brayco.com.au

NZ: Call: 09 271 5000

Email: sales@chairforce.co.nz



Please recycle
these instructions