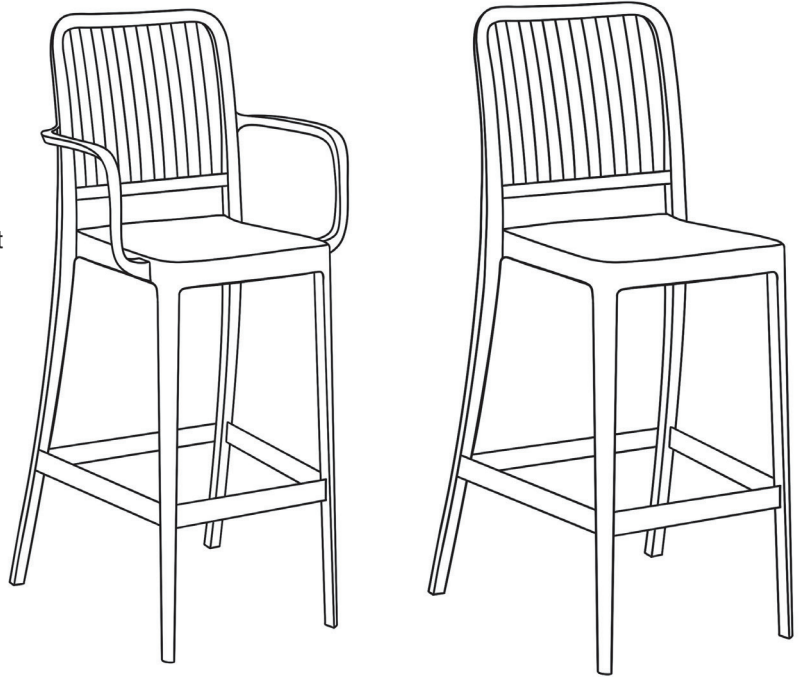


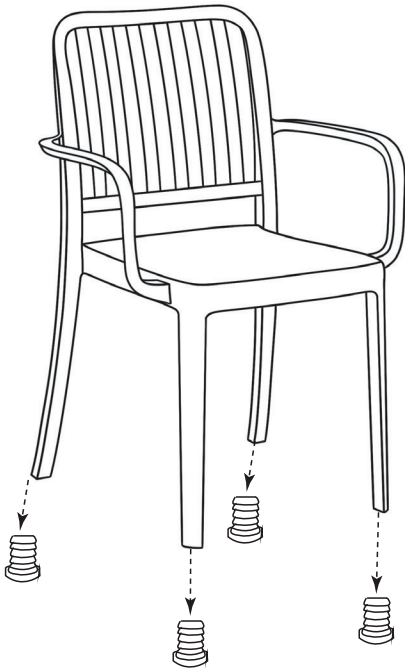


Assembly Instructions Renzo Barstool

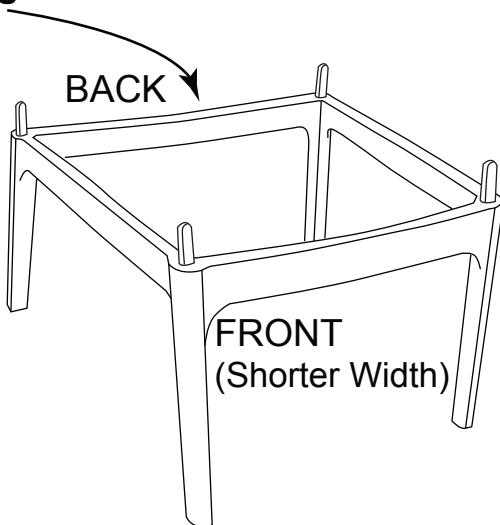
PLEASE NOTE: These stools are designed for permanent assembly and cannot be taken apart after assembly. We've tried to make this stool as easy to assemble as possible. In the unlikely event you have problems putting it together or missing pieces, please contact us.



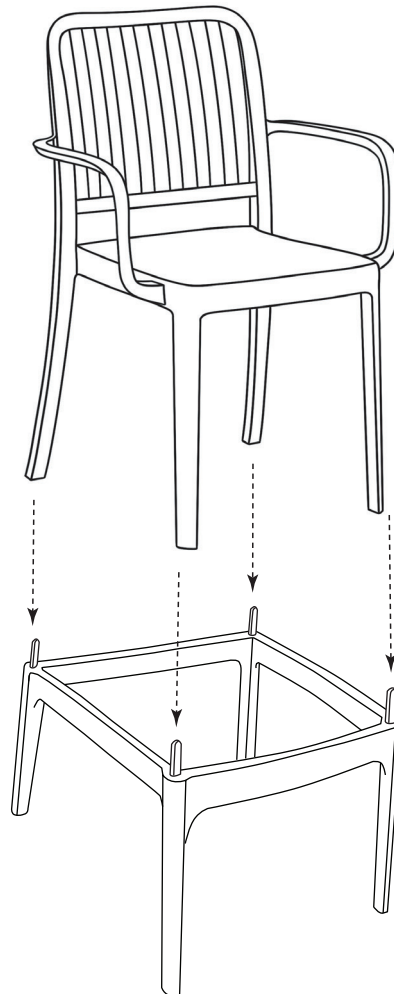
1. Remove rubber feet



2. Align base. Longest width at the back



3. Fit chair to base



Thank you for your purchase.

To learn more about our products please visit www.chairforce.com.au and www.chairforce.co.nz

AU: Call: 08 9436 8570 Email: customer@brayco.com.au

NZ: Call: 09 271 5000 Email: sales@chairforce.co.nz



Please recycle
these instructions