

LUIBAR120
LUIBAR150



Assembly Instructions Luisa Aluminium Bar Table




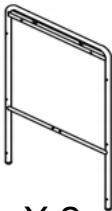
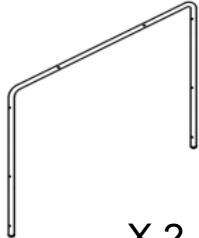
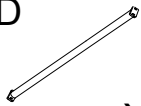
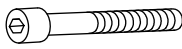



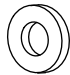
Before assembly please check you have all parts listed below.

PLEASE NOTE: We've tried to make this table as easy to assemble as possible.

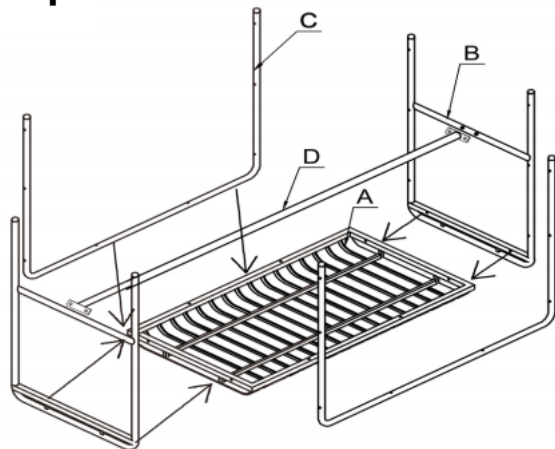
In the unlikely event you have problems putting it together or missing pieces, please contact us.

Details below.

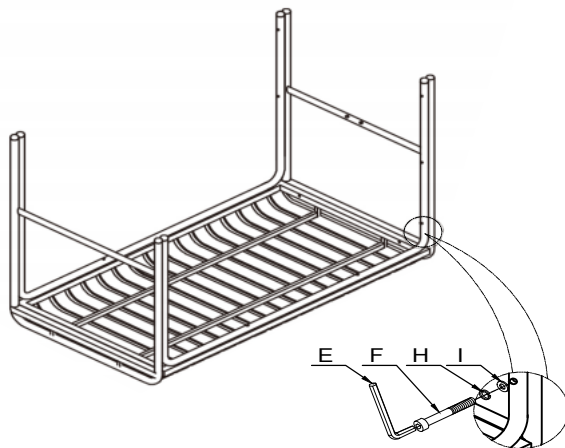
PARTS LIST

<p>A table top</p>  <p>X 1</p>	<p>B legs</p>  <p>X 2</p>	<p>C legs</p>  <p>X 2</p>	<p>D</p>  <p>X 1</p>	<p>F (m6x40 screw)</p>  <p>X 20</p>	<p>H (m6)</p>  <p>X 24</p>
			<p>E</p>  <p>X 1</p>	<p>G (m6x20 screw)</p>  <p>X 4</p>	<p>I (m6)</p>  <p>X 24</p>

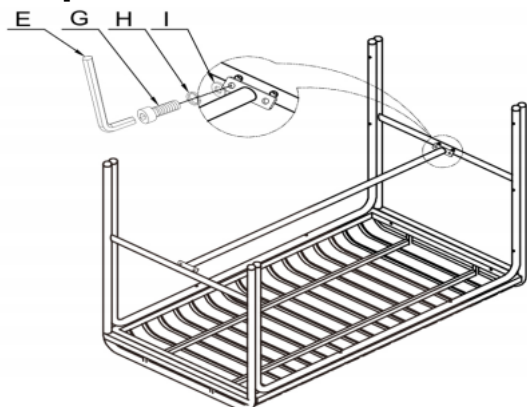
Step 1



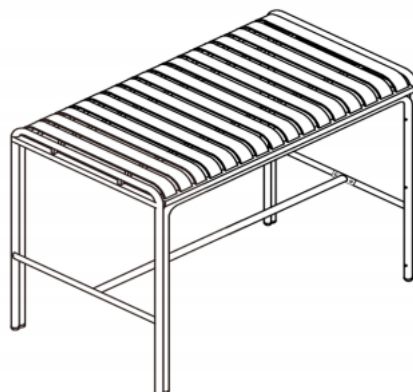
Step 2



Step 3



Step 4



Thank you for your purchase.

To learn more about our products please visit www.chairforce.com.au and www.chairforce.co.nz

AU: Call: 08 9436 8570 Email: customercare@brayco.com.au

NZ: Call: 09 271 5000 Email: sales@chairforce.co.nz



Please recycle
these instructions