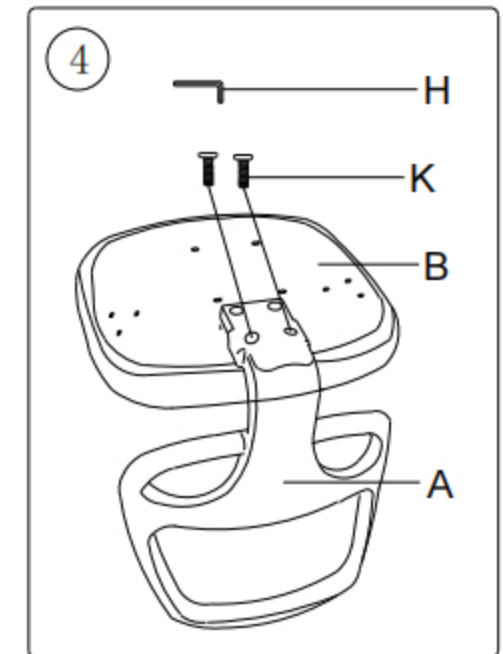
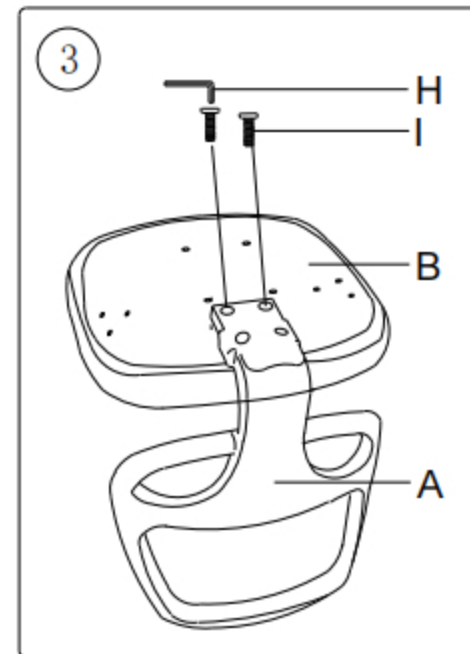
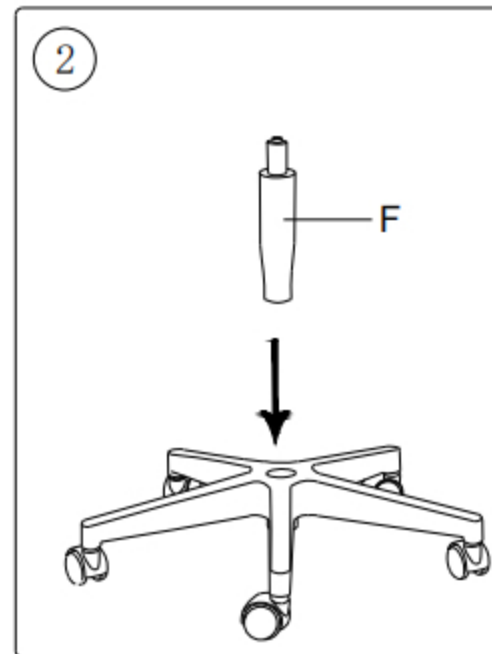
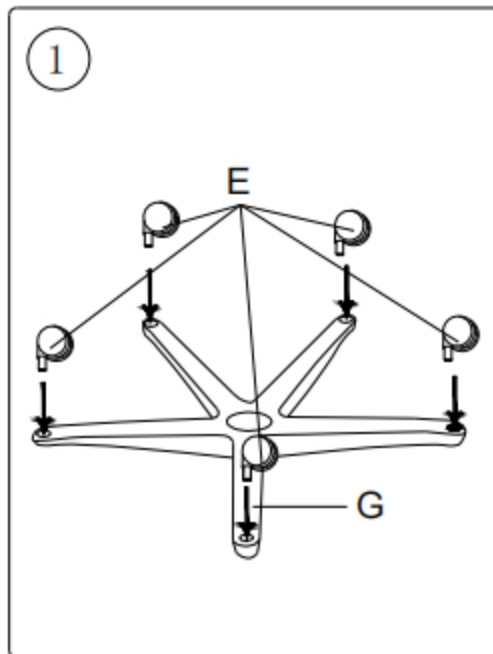
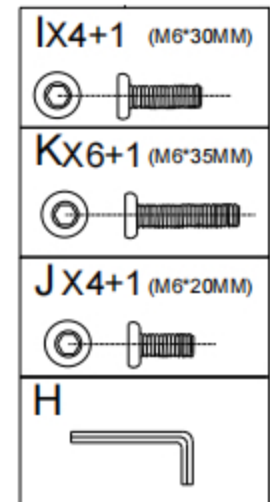
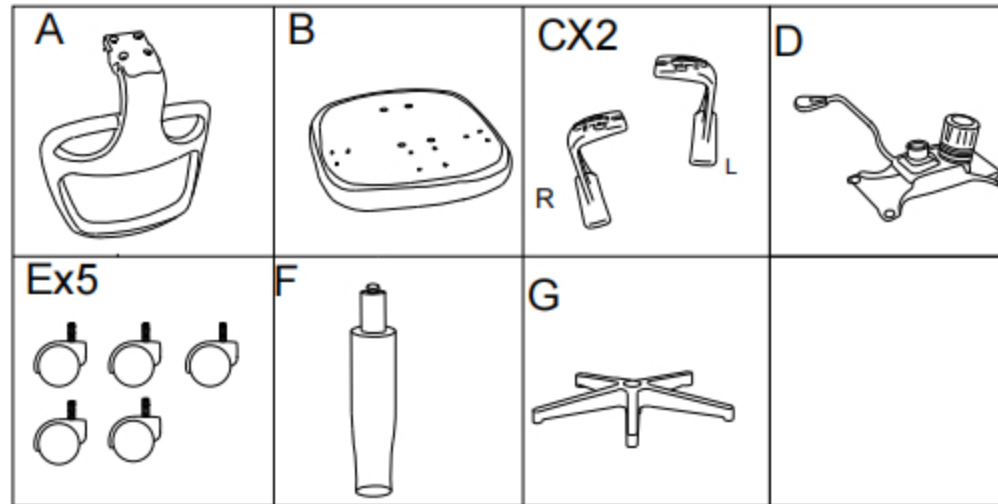
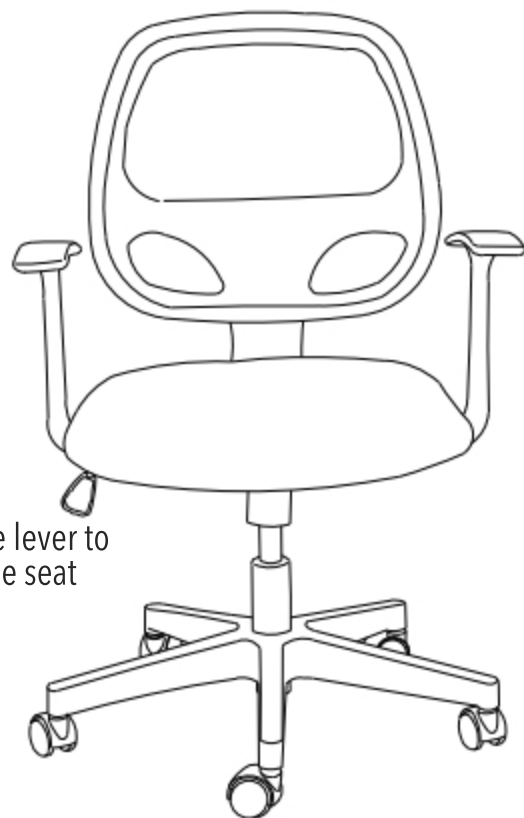
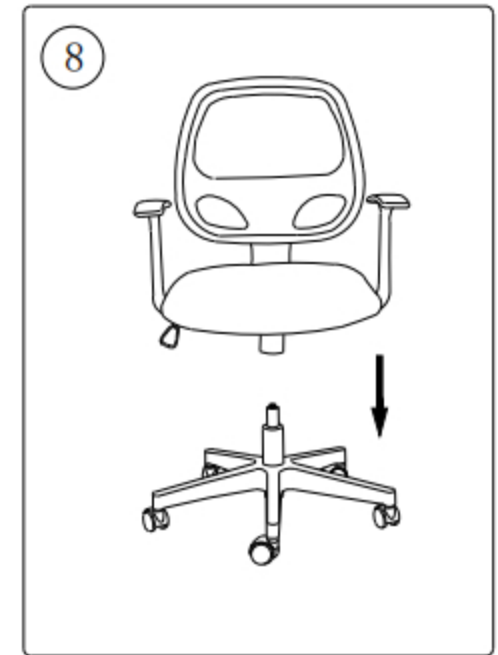
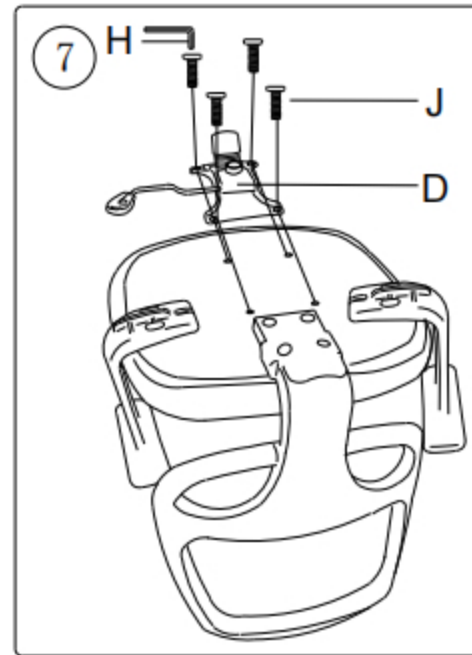
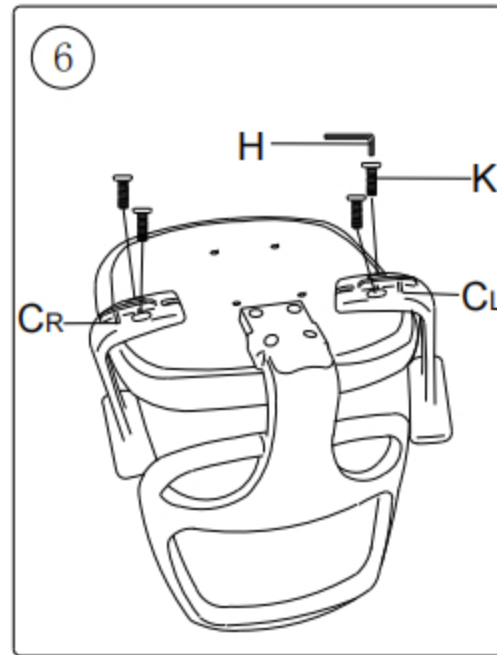
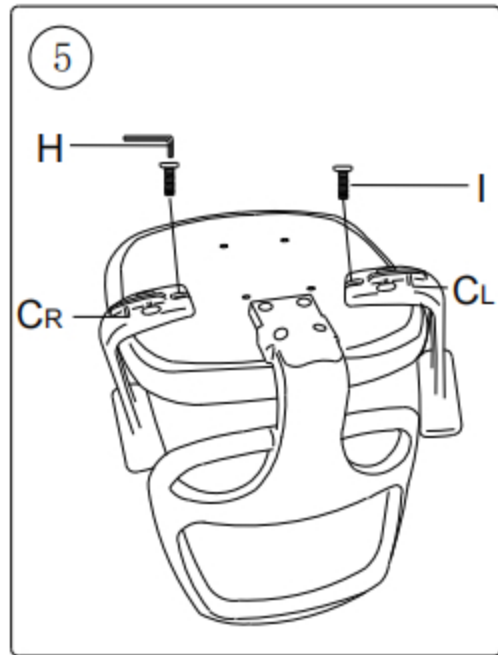


PROFESSIONAL OFFICE CHAIR ASSEMBLY INSTRUCTIONS

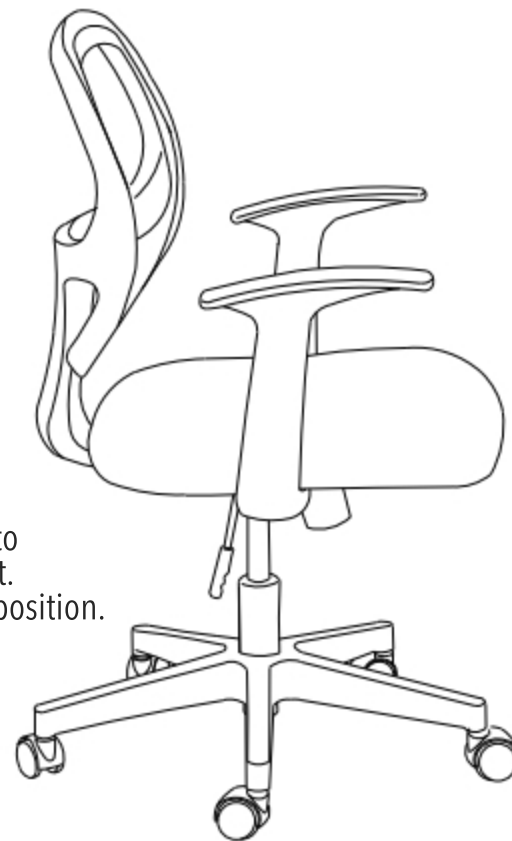
Before assembly please check you have all parts listed below.

PLEASE NOTE: We've tried to make this chair as easy to assemble as possible. In the unlikely event you have problems putting it together or missing pieces, please call 1300 272 926.





Raise the lever to adjust the seat



Loosen the knob to adjust the backrest. Tighten to lock in position.

WARNING
 FAILURE TO FOLLOW THESE INSTRUCTIONS MAY RESULT IN SERIOUS INJURY

1. THIS PRODUCT IS DESIGNED FOR SEATING ONLY . DO NOT STAND ON THIS PRODUCT. DO NOT USE IT AS A STEP LADDER
2. DO NOT USE THIS PRODUCT UNLESS ALL BOLTS AND PARTS ARE FIRMLY TIGHTENED.
3. IF ANY PARTS ARE MISSING, DAMAGED OR WORN ,STOP USING THIS PRODUCT. PREPAIR THE PRODUCT WITH MANUFACTURER'S SUPPLIED PARTS.
4. DO NOT SIT ON THE ARMREST OF THIS PRODUCT.
5. THIS PRODUCT IS DESIGNED FOR SITTING ONE PERSON AT A TIME .
6. CHILDREN UNDER THE AGE OF 10, PLEASE USE UNDER ADULT GUARDIANSHIP POWDER.