

AIRMESH OFFICE CHAIR ASSEMBLY INSTRUCTIONS

Before assembly please check you have all parts listed below.

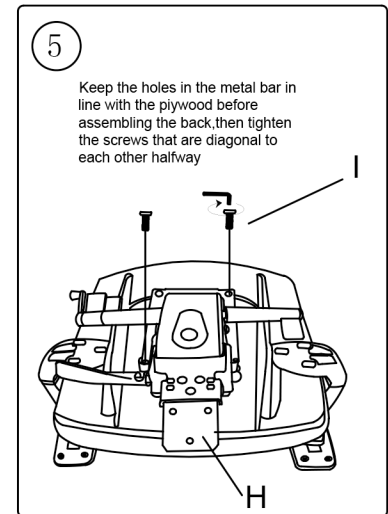
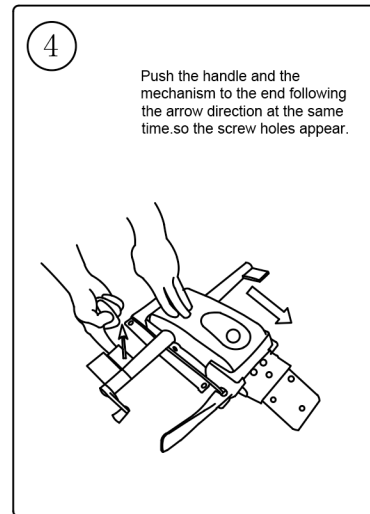
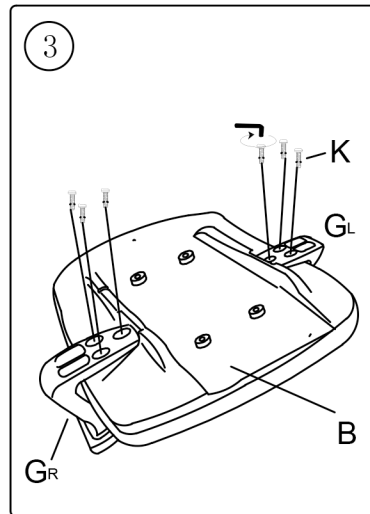
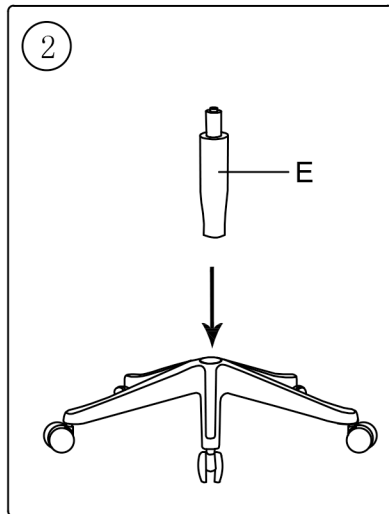
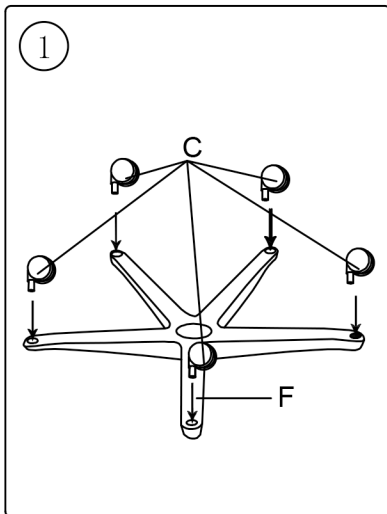
PLEASE NOTE: We've tried to make this chair as easy to assemble as possible.

In the unlikely event you have problems putting it together or missing pieces, please call 1300 272 926.



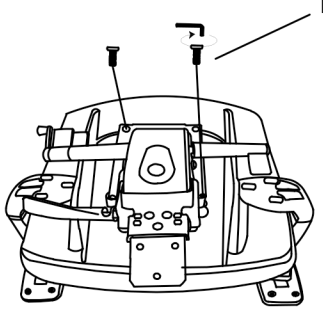
A 	B 	Cx5 	D 	Ox1
E 	F 	G 	H 	

I x4+1 (M8*50MM)
J x1+1 (M6*30MM)
K x6+1 (M6*40MM)
L x3+1 (M8*20MM)
Mx1

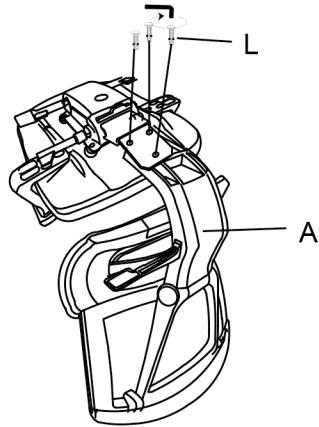


6

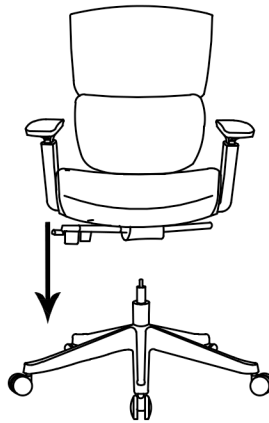
Tighten another two screws in the metal bar.



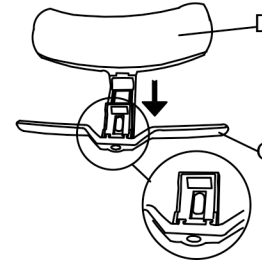
7



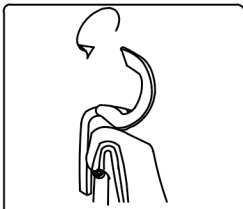
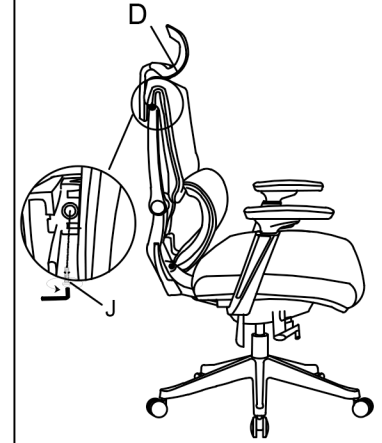
8



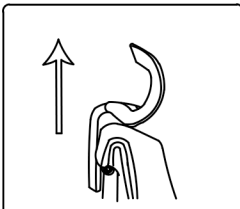
9



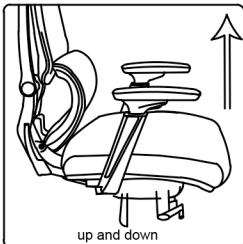
10



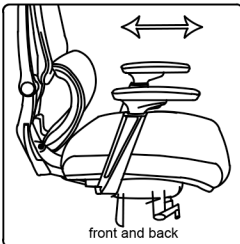
Head restraint rotation adjustment



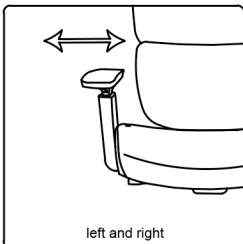
Headrest up and down adjustment



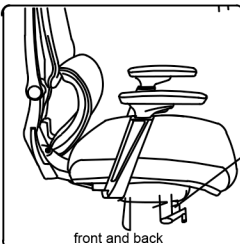
up and down



front and back

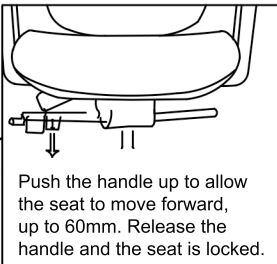
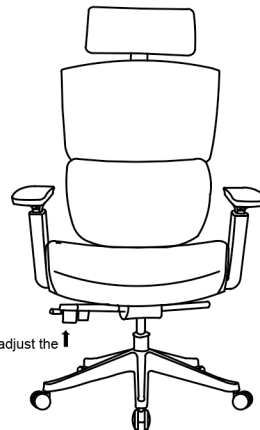


left and right

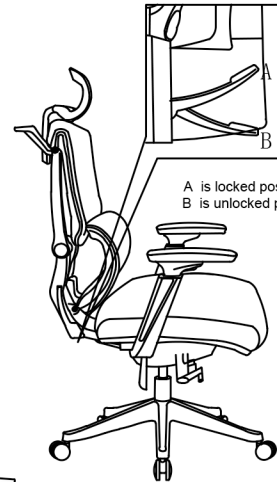


front and back

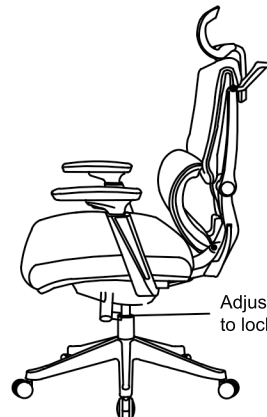
Push the handle to adjust the seat height



Push the handle up to allow the seat to move forward, up to 60mm. Release the handle and the seat is locked.



A is locked position
B is unlocked position



Adjust the handle up and down to lock or unlock the back angle.

WARNING

FAILURE TO FOLLOW THESE INSTRUCTIONS MAY RESULT IN SERIOUS INJURY

1. THIS PRODUCT IS DESIGNED FOR SEATING ONLY. DO NOT STAND ON THIS PRODUCT. DO NOT USE IT AS A STEP LADDER.
2. DO NOT USE THIS PRODUCT UNLESS ALL BOLTS AND PARTS ARE FIRMLY TIGHTENED.
3. IF ANY PARTS ARE MISSING, DAMAGED OR WORN, STOP USING THIS PRODUCT. PREPARE THE PRODUCT WITH MANUFACTURER'S SUPPLIED PARTS.
4. DO NOT SIT ON THE ARMREST OF THIS PRODUCT.
5. THIS PRODUCT IS DESIGNED FOR SITTING ONE PERSON AT A TIME.
6. CHILDREN UNDER THE AGE OF 10, PLEASE USE UNDER ADULT GUARDIANSHIP POWDER.