

CORSBS



CORSICA

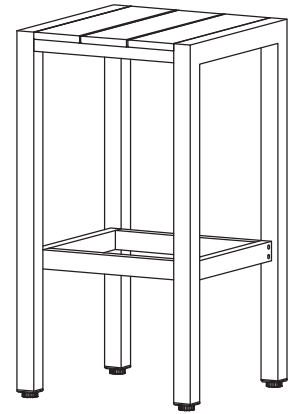
Assembly Instructions: Corsica Aluminium Bar Stool

Before assembly please check you have all parts listed below.

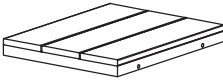
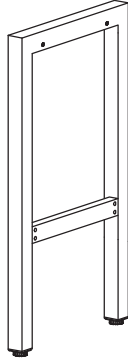
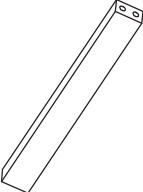
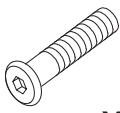


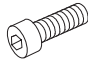


PLEASE NOTE: We've tried to make this stool as easy to assemble as possible.

In the unlikely event you have problems putting it together or missing pieces, please contact us.

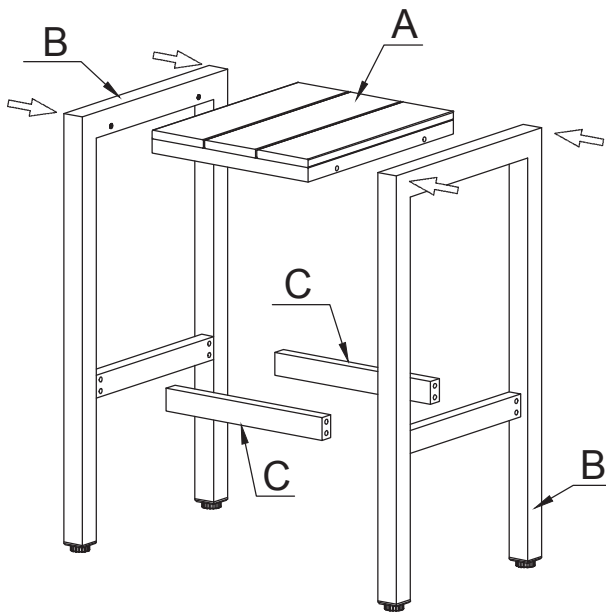
Details below.



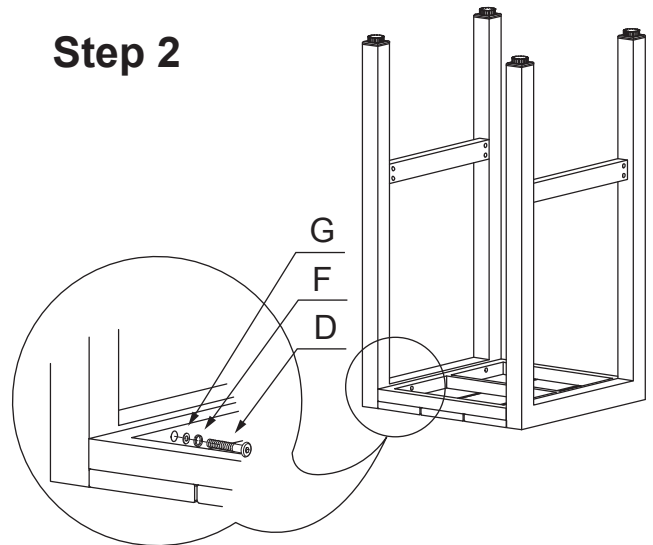
PARTS LIST

<p>A</p>  <p>x 1</p>	<p>B</p>  <p>x 2</p>	<p>C</p>  <p>x 2</p>	<p>D M6x40</p>  <p>x 4</p>	<p>F</p>  <p>x 12</p>	<p>H</p>  <p>x 8</p>
			<p>E M6x20</p>  <p>x 8</p>	<p>G</p>  <p>x 4</p>	<p>I</p>  <p>x 1</p>

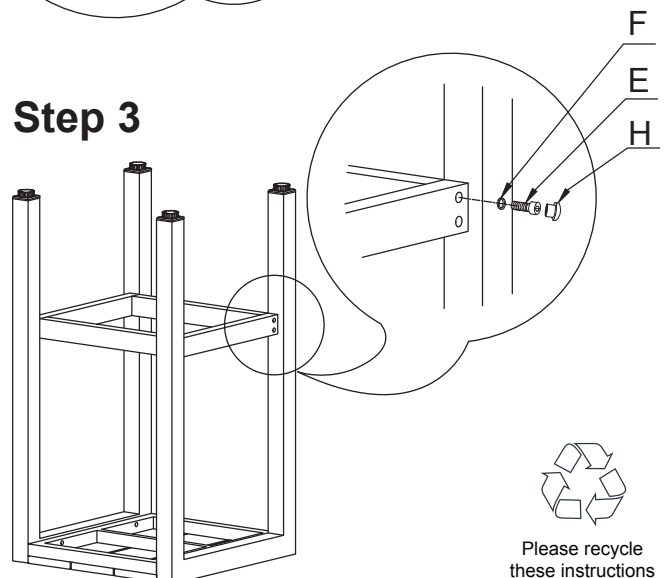
Step 1



Step 2



Step 3



PROTECT YOUR STOOL DURING ASSEMBLY

To protect your stool top from scratches during assembly, please assemble on the cardboard box.



Thank you for your purchase.

Corsica bar stools are exclusively supplied by Chairforce.

To learn more about our products please visit

www.chairforce.com.au and www.chairforce.co.nz

AU: Call: 08 9436 8570 Email: customer@brayco.com.au

NZ: Call: 09 271 5000 Email: sales@chairforce.co.nz



Please recycle these instructions