

Assembly Instructions Ana Stool

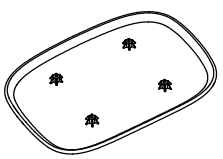
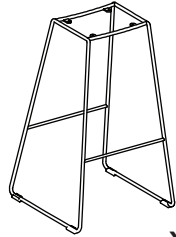
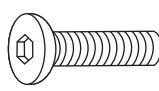




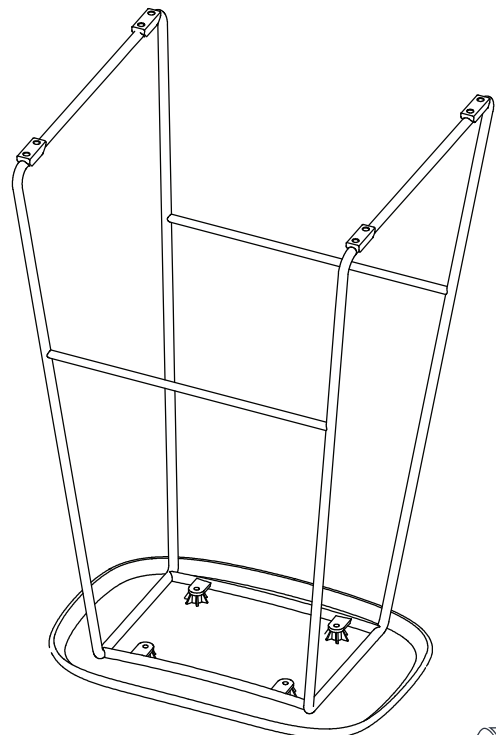
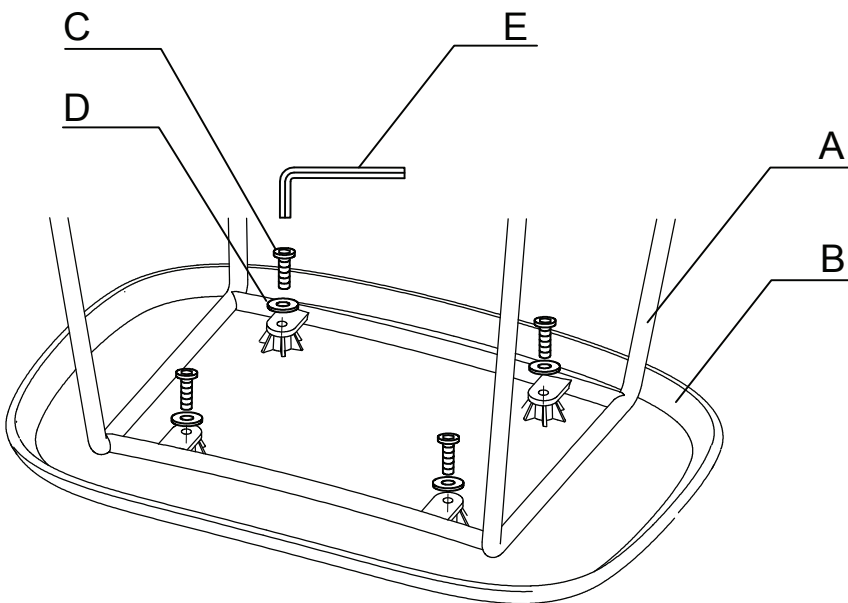
Before assembly please check you have all parts listed below.

PLEASE NOTE: We've tried to make this stool as easy to assemble as possible.

In the unlikely event you have problems putting it together or missing pieces, please contact us. Details below.

PARTS LIST

<p>A Frame</p>  <p>X 1</p>	<p>B Seat</p>  <p>X 1</p>	<p>C 6X14</p>  <p>X 4</p>	<p>D</p>  <p>X 4</p>	<p>E</p>  <p>X 1</p>
---	---	---	--	--



**Note: Attach seat to frame.
Once seat is firmly screwed in,
it will level out evenly.**

Thank you for your purchase.

To learn more about our products please visit www.chairforce.com.au and www.chairforce.co.nz

AU: Call: 08 9436 8570 Email: customer@brayco.com.au

NZ: Call: 09 271 5000 Email: sales@chairforce.co.nz



Please recycle
these instructions