

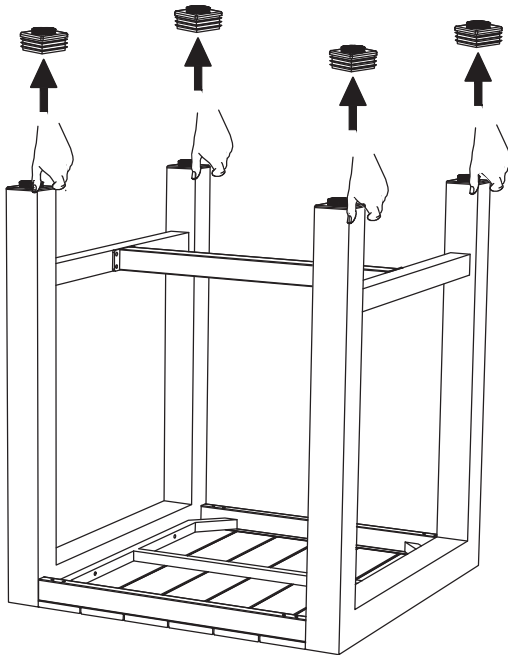
Installation Guide Corsica Wheels onto Corsica Counter Table

Before assembly please check you have all parts listed below

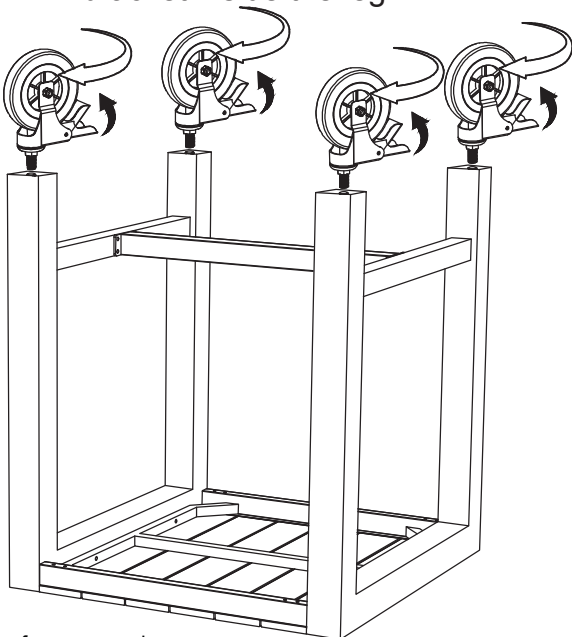
PLEASE NOTE: Your Corsica table will be labeled as 'Counter Table', however with the wheels fitted it becomes your standard bar height table.

We've tried to make this table and castor fitting as easy to assemble as possible. In the unlikely event you have problems putting it together or missing pieces, please contact us. Details below.

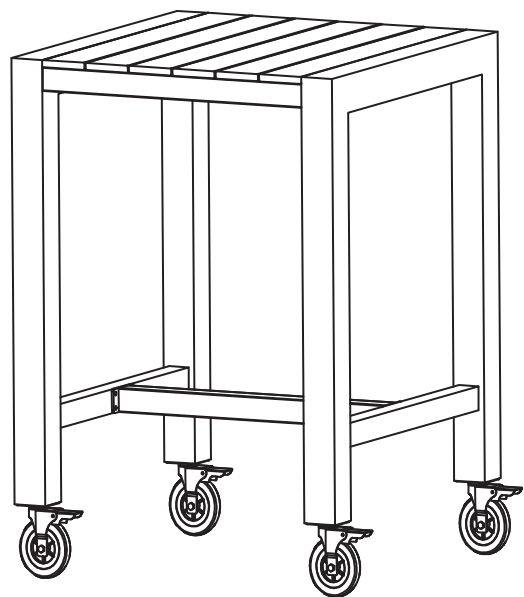
Step 1 Remove all 4 foot plugs from the bottom of your table.



Step 2 Lock the brake on each castor. Screw each castor into the bracket inside the leg.

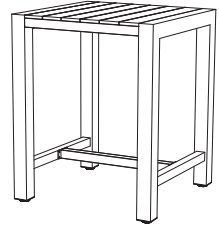


Step 3 – Enjoy your table!



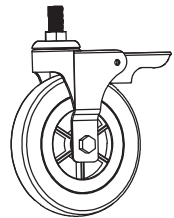
PARTS LIST

A assembled table



X 1

B castors



X 4

Thank you for your purchase.

To learn more about our products please visit www.chairforce.com.au and www.chairforce.co.nz

AU: Call: 08 9436 8570 Email: customercare@brayco.com.au

NZ: Call: 09 271 5000 Email: sales@chairforce.co.nz



Please recycle these instructions