

Assembly Instructions for Alexis Folding Table Base

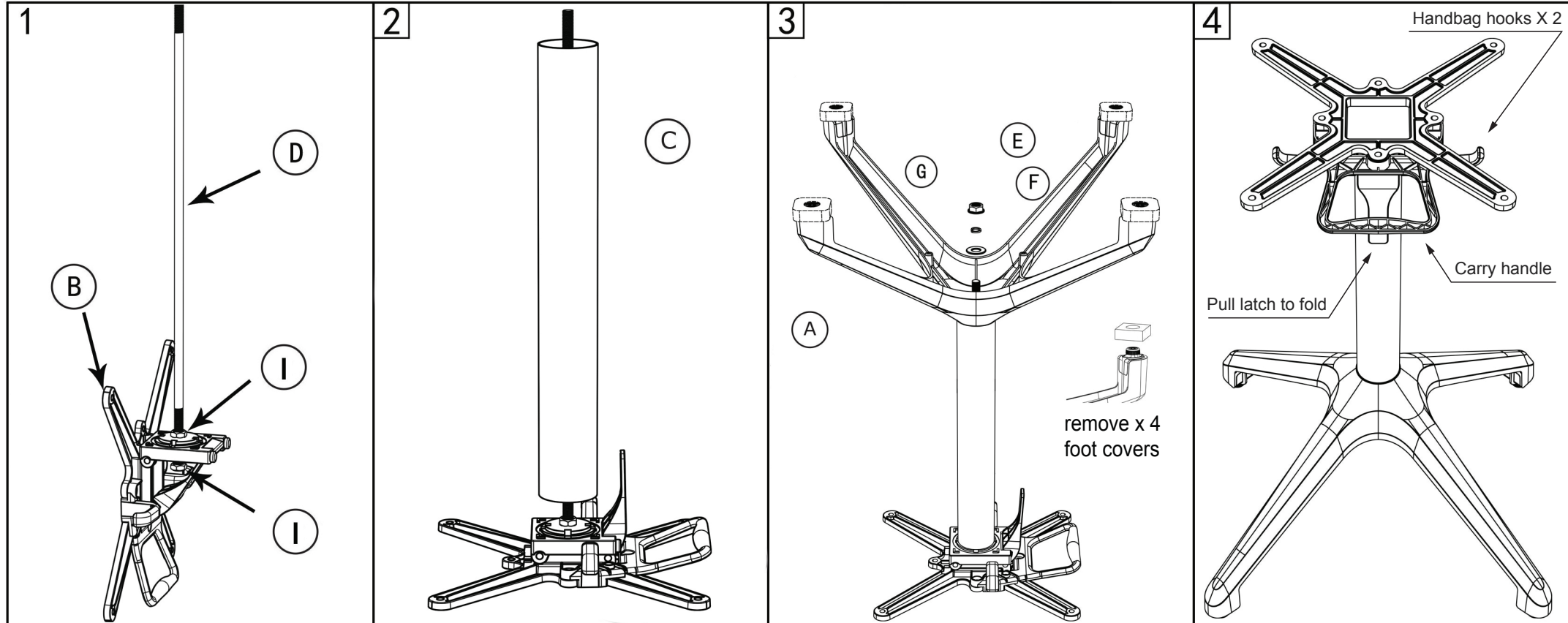
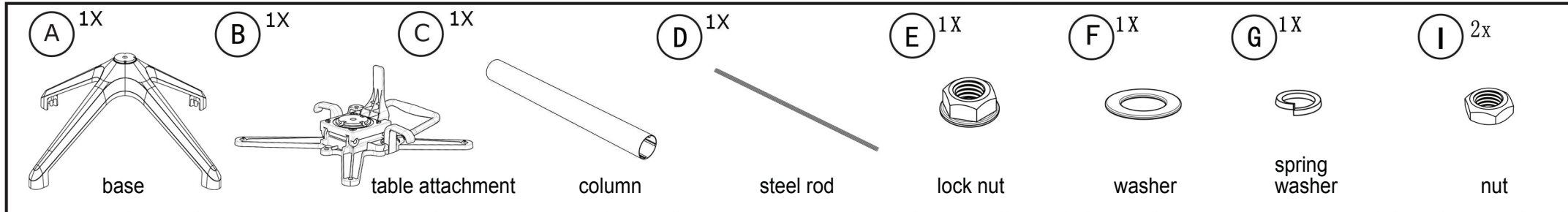
pablo

Supplied by Chairforce.com.au

Before assembly please check you have all parts listed below. Please assemble on a clean and flat surface, such as carpet or cardboard to prevent scratches.

PLEASE NOTE: We've tried to make this base as easy to assemble as possible.

In the unlikely event you have problems putting it together or missing pieces, please contact us. Details below.



Exclusively distributed in AU and NZ by Chairforce. Thank you for your purchase. To learn more about our products please visit www.chairforce.com.au and www.chairforce.co.nz

AU: Call: 08 9436 8570

Email: customercare@brayco.com.au

NZ: Call: 09 271 5000

Email: sales@chairforce.co.nz