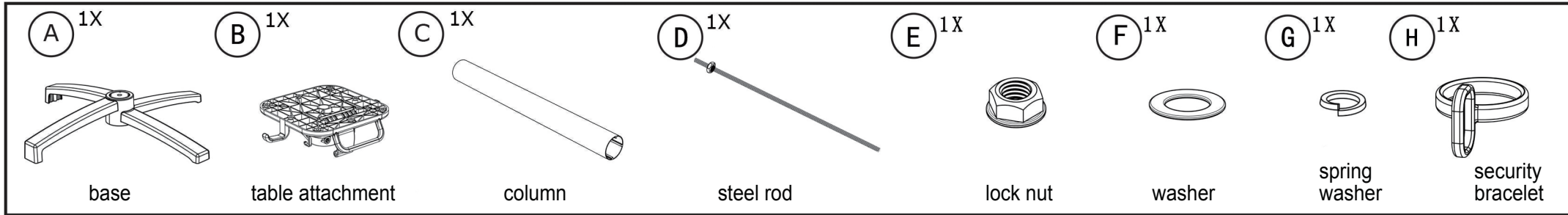


# Assembly Instructions for Hugo Folding Table Base



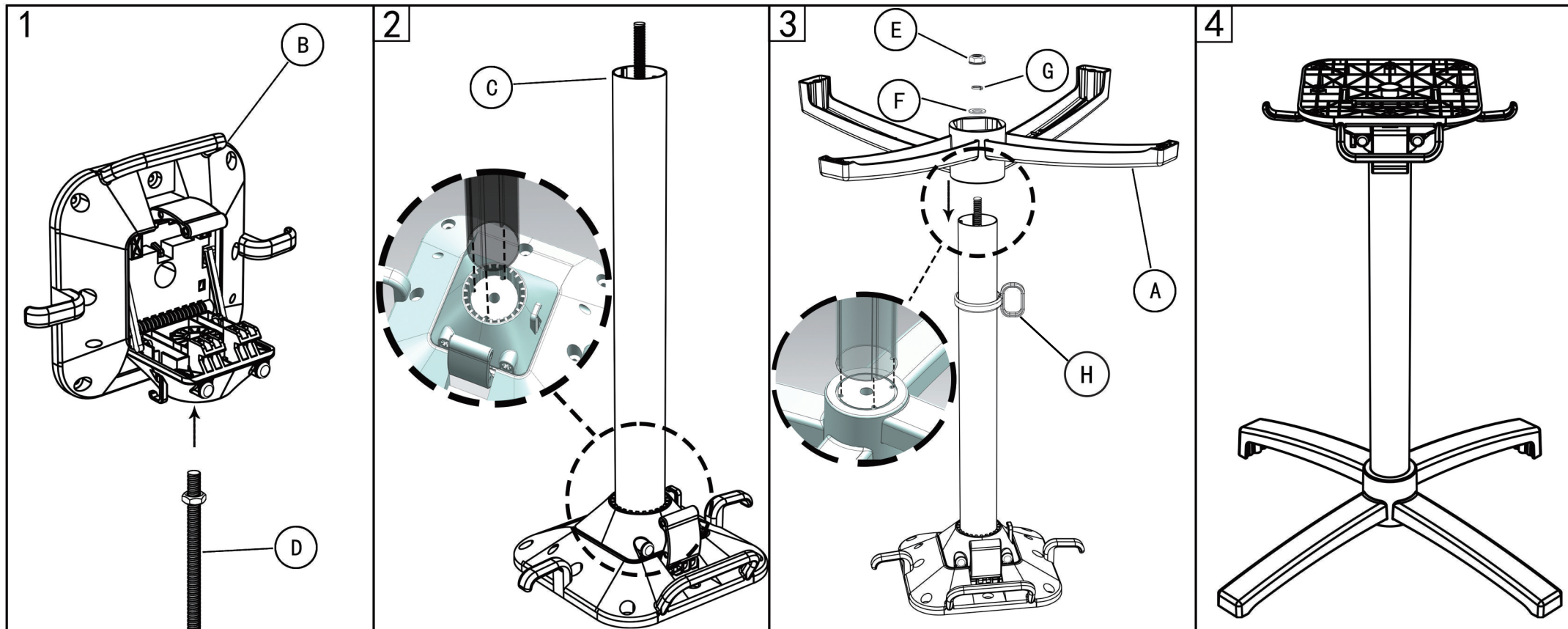
Supplied by Chairforce.com.au



Before assembly please check you have all parts listed below. Please assemble on a clean and flat surface, such as carpet or cardboard to prevent scratches.

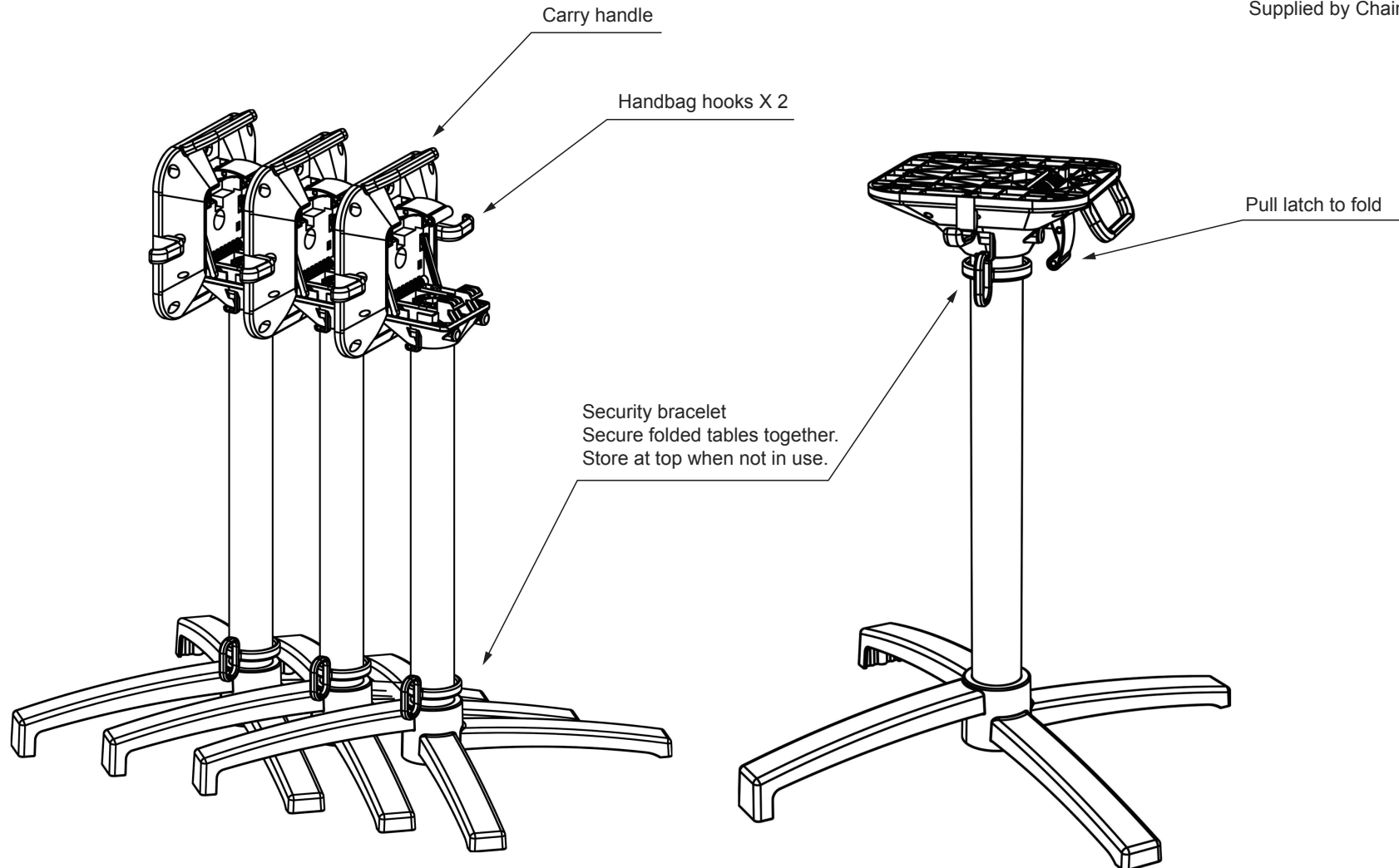
PLEASE NOTE: We've tried to make this base as easy to assemble as possible.

In the unlikely event you have problems putting it together or missing pieces, please contact us. Details below.




# pablo

Supplied by Chairforce.com.au



Exclusively distributed in AU and NZ by Chairforce. Thank you for your purchase. To learn more about our products please visit [www.chairforce.com.au](http://www.chairforce.com.au) and [www.chairforce.co.nz](http://www.chairforce.co.nz)  
**AU:** Call: 08 9436 8570 Email: [customercare@brayco.com.au](mailto:customercare@brayco.com.au) **NZ:** Call: 09 271 5000 Email: [sales@chairforce.co.nz](mailto:sales@chairforce.co.nz)

 Please recycle these instructions