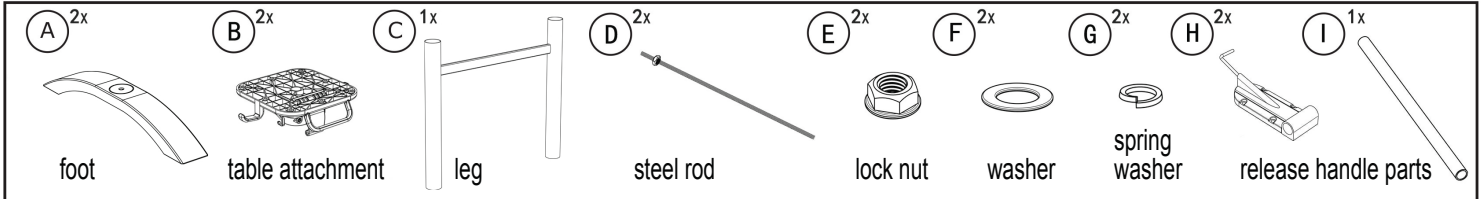


Assembly Instructions Haris Folding Table Base

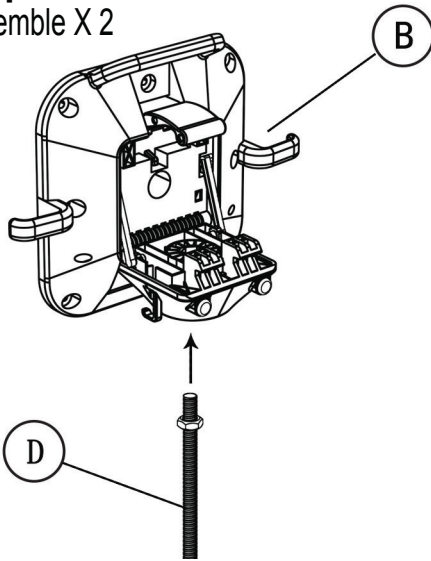


Supplied by Chairforce.com.au

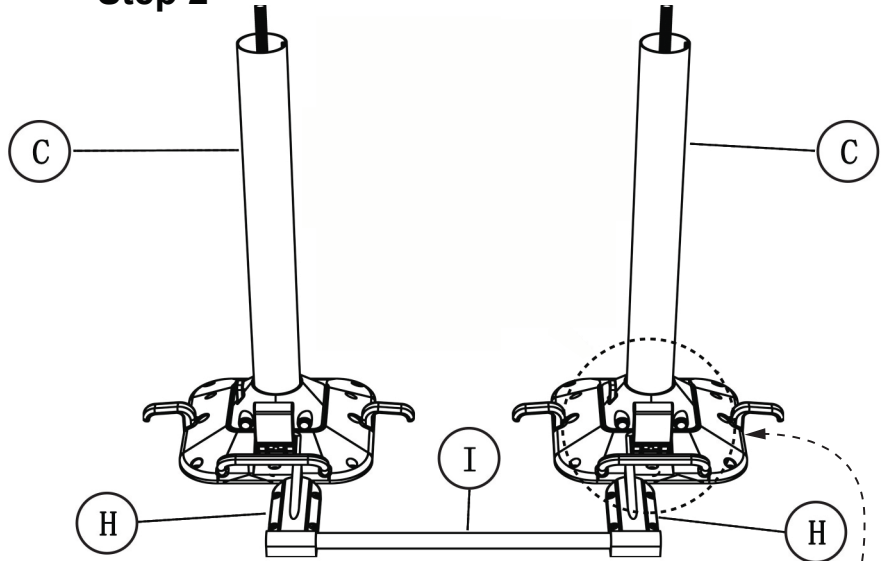
Before assembly please check you have all parts listed below. Please assemble on a clean and flat surface, such as carpet or cardboard to prevent scratches. PLEASE NOTE: We've tried to make this base as easy to assemble as possible. In the unlikely event you have problems putting it together or missing pieces, please contact us. Details below.



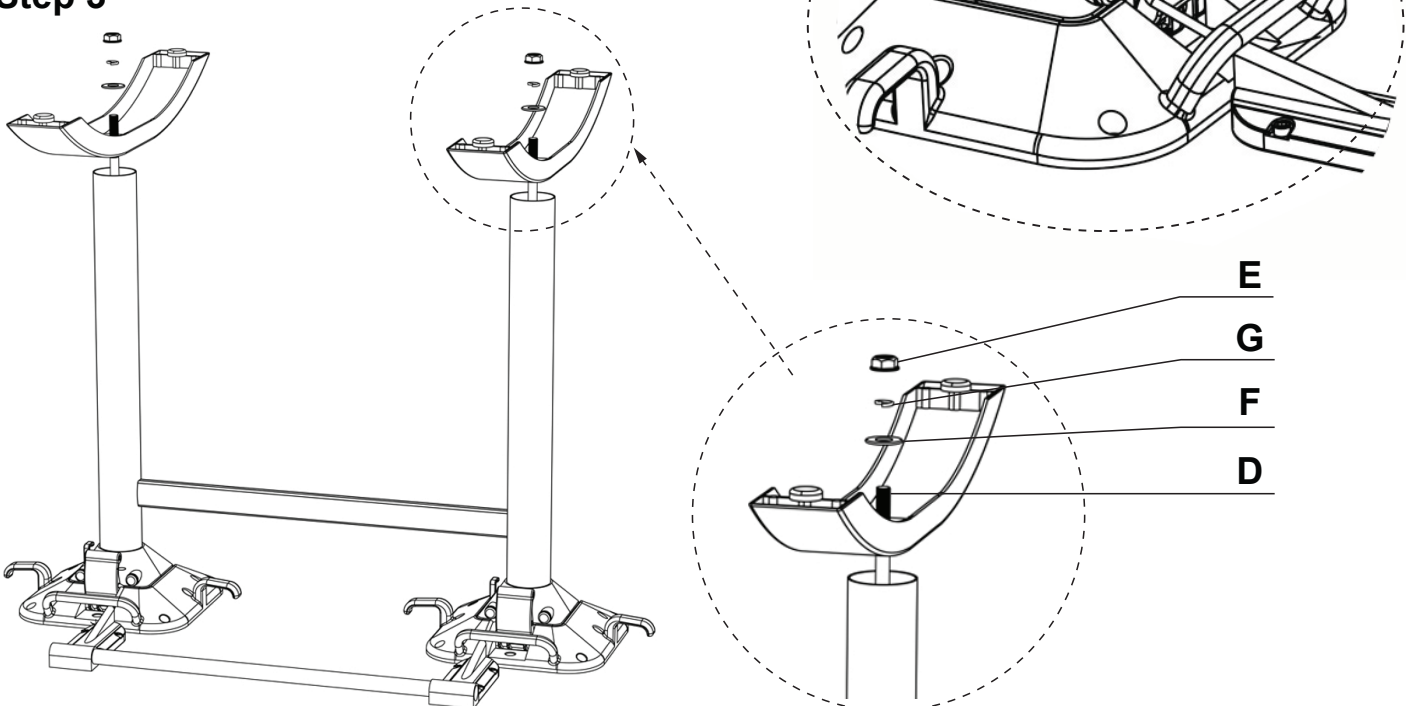
Step 1 Assemble X 2



Step 2



Step 3



Assembly Instructions Haris Folding Table Base



Supplied by Chairforce.com.au

