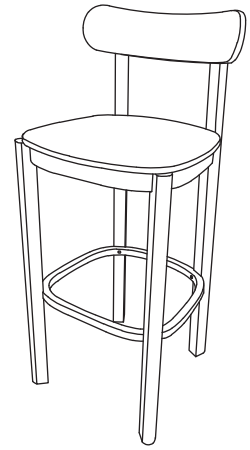


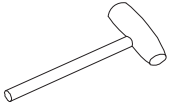
LEONBS



# Assembly Instructions Leon Stool

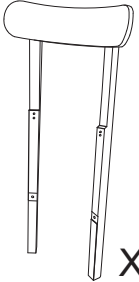
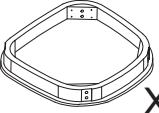
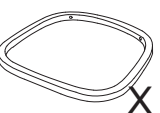
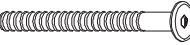




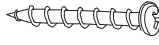



You will also need  
a rubber mallet



Before assembly please check you have all parts listed below.  
Please assemble on a clean and flat surface, such as carpet or cardboard to prevent scratches  
(do not assemble on your floor). PLEASE NOTE: We've tried to make this stool as easy to assemble as possible.  
In the unlikely event you have problems putting it together or missing pieces, please contact us. Details below.

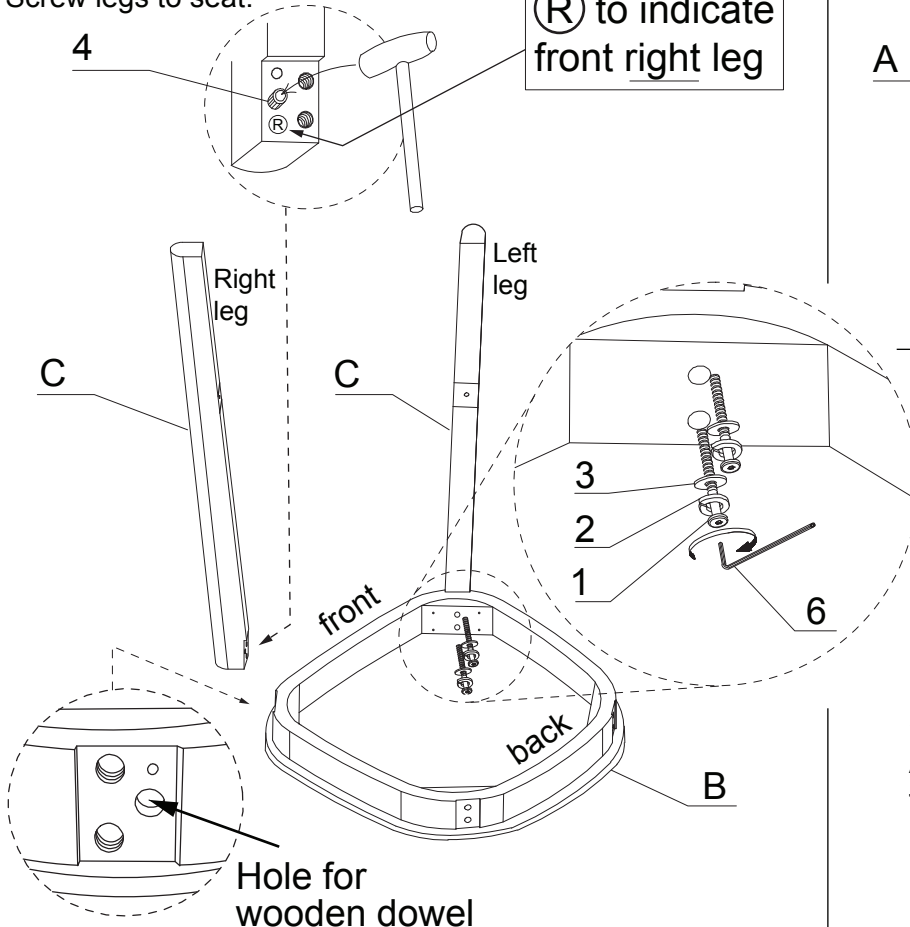
## PARTS LIST

<b>A backrest</b>  X 1	<b>B seat</b>  X 1	<b>D footrest</b>  X 1	<b>1 JCBC BOLT</b> M6 X 60MM (RB)  X 8	<b>2 SPRING WASHER</b> 5/16" (RB)  X 8	<b>3 FLAT WASHER</b> M8 X 18MM (RB)  X 8
<b>C front legs (left &amp; right)</b>  X 2			<b>4 WOOD DOWEL</b> M10 X 30MM  X 2	<b>5 PH M4 X 32MM (BLK)</b>  X 4	<b>6 ALLEN KEY (M4)</b> (BALL SHAPE)  X 1

### STEP 1

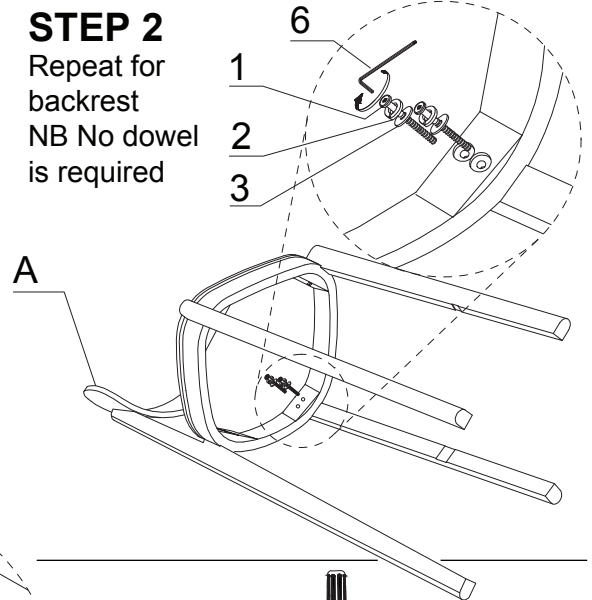
Attach front legs to seat.  
NB: front of seat is wider than the back.  
Attach 1 wood dowel to each leg  
Push legs onto seat.  
Screw legs to seat.

Look for mark  
(R) to indicate  
front right leg



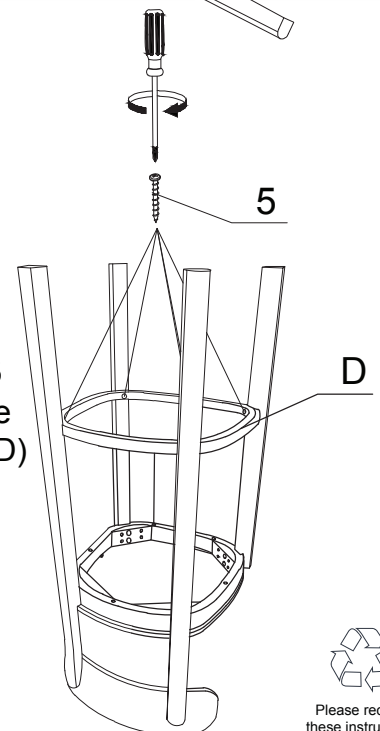
### STEP 2

Repeat for  
backrest  
NB No dowel  
is required



### STEP 3

Attach the  
footrest (D)



Exclusively distributed in AU and NZ by Chairforce.  
Thank you for your purchase. To learn more about our products please  
visit [www.chairforce.com.au](http://www.chairforce.com.au) and [www.chairforce.co.nz](http://www.chairforce.co.nz)

**AU:** Call: 08 9436 8570 Email: [customercare@brayco.com.au](mailto:customercare@brayco.com.au)  
**NZ:** Call: 09 271 5000 Email: [sales@chairforce.co.nz](mailto:sales@chairforce.co.nz)



Please recycle  
these instructions