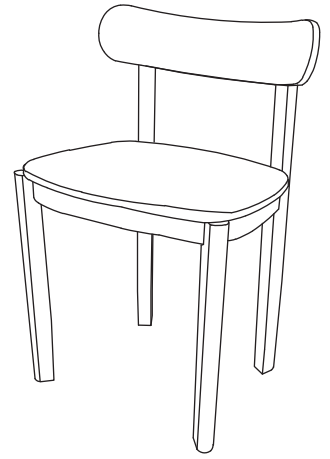


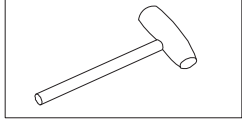
LEON



# Assembly Instructions Leon Chair

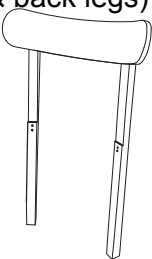
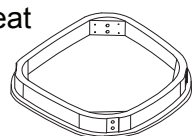
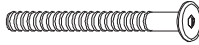




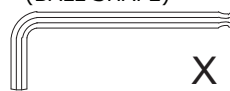


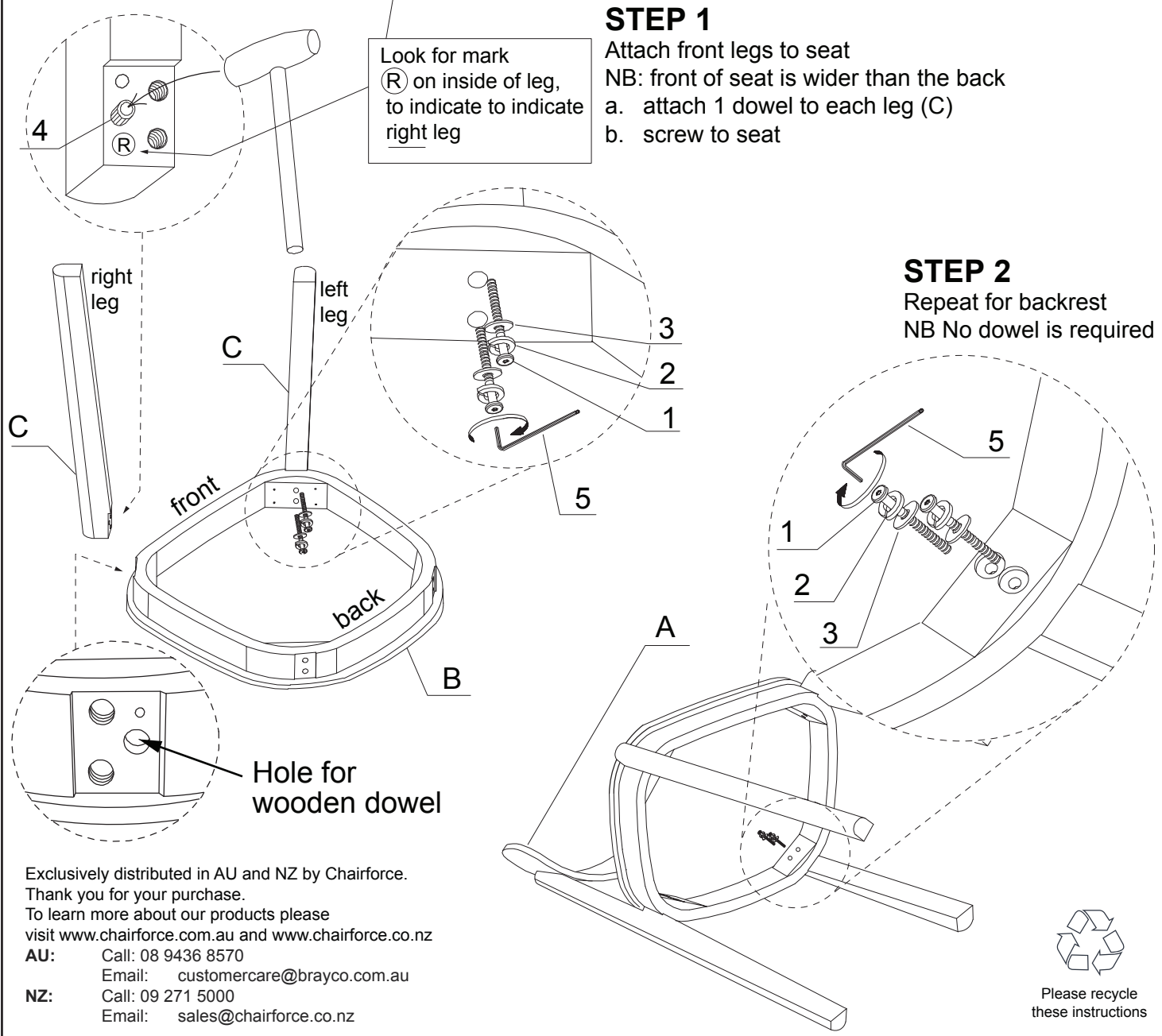
You will also need  
a rubber mallet



Before assembly please check you have all parts listed below.  
Please assemble on a clean and flat surface, such as carpet or cardboard to prevent scratches  
(do not assemble on your floor). PLEASE NOTE: We've tried to make this chair as easy to assemble as possible.  
In the unlikely event you have problems putting it together or missing pieces, please contact us. Details below.

## PARTS LIST

<b>A backrest (&amp; back legs)</b>  X 1	<b>B seat</b>  X 2	<b>1 JCBC BOLT M6 X 60MM (RB)</b>  X 8	<b>2 SPRING WASHER 5/16" (RB)</b>  X 8	<b>3 FLAT WASHER M8 X 18MM (RB)</b>  X 8
 	<b>C front legs (left &amp; right)</b>  X 2	<b>4 WOOD DOWEL M10 X 30MM</b>  X 2	<b>5 ALLEN KEY M4 (BALL SHAPE)</b>  X 1	 



### STEP 1

Attach front legs to seat  
NB: front of seat is wider than the back  
a. attach 1 dowel to each leg (C)  
b. screw to seat

### STEP 2

Repeat for backrest  
NB No dowel is required

Exclusively distributed in AU and NZ by Chairforce.  
Thank you for your purchase.  
To learn more about our products please  
visit [www.chairforce.com.au](http://www.chairforce.com.au) and [www.chairforce.co.nz](http://www.chairforce.co.nz)  
**AU:** Call: 08 9436 8570  
Email: [customercare@brayco.com.au](mailto:customercare@brayco.com.au)  
**NZ:** Call: 09 271 5000  
Email: [sales@chairforce.co.nz](mailto:sales@chairforce.co.nz)

