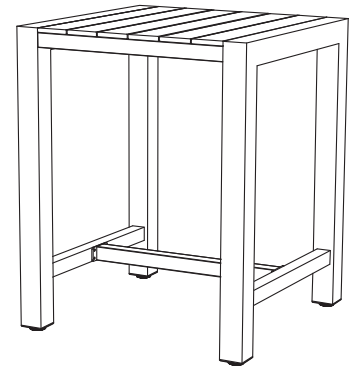


CORSCNTRSQ84
 CORSCNTR151x80
 CORSCNTR185x90

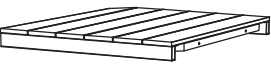
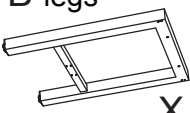

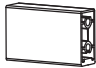

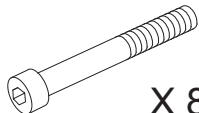
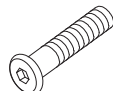

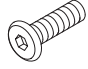





Assembly Instructions Corsica Aluminium Counter Table



Before assembly please check you have all parts listed below.
 PLEASE NOTE: We've tried to make this table as easy to assemble as possible.
 In the unlikely event you have problems putting it together or missing pieces, please contact us.
 Details below.

PARTS LIST

A table top  X 1	B legs  X 2	C  X 1	D  X 4	E allen key  X 1	F (m6x90 screw)  X 8
G (m6x45 screw)  X 4	H (m6x12 screw)  X 8	I (m6x20 screw)  X 8	J  X 28	K  X 28	 Please recycle these instructions

Step 1
 Ensure the holes are at the bottom of this bracket.
 Bottom View (holes are furthest away from the leg)

Step 2
 Slide together. Ensure holes in table top & leg bracket line up, (see step 3).

PLEASE NOTE: you only need to hand tighten this bracket. You may need to loosen one bracket if the table top does not slide smoothly into place. (These do not need to be tightened further.)

Step 3
 Do not over tighten screws

Step 4
 Do not over tighten screws

Step 5
 Do not over tighten screws

Step 6
 Now tighten all screws.

Thank you for your purchase.
 To learn more about our products please visit www.chairforce.com.au and www.chairforce.co.nz
 AU: Call: 08 9436 8570 Email: customercare@brayco.com.au
 NZ: Call: 09 271 5000 Email: sales@chairforce.co.nz