









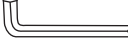
## Assembly Instructions Vera Square Outdoor Dining Table

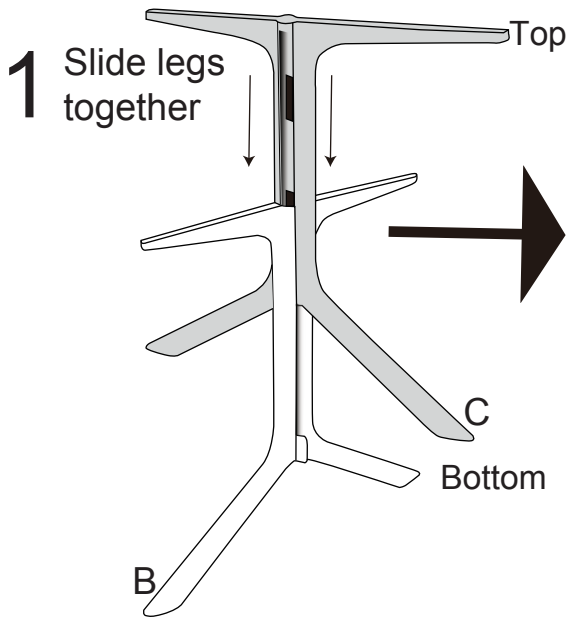
Before assembly please check you have all parts listed below.

PLEASE NOTE: We've tried to make this table as easy to assemble as possible.

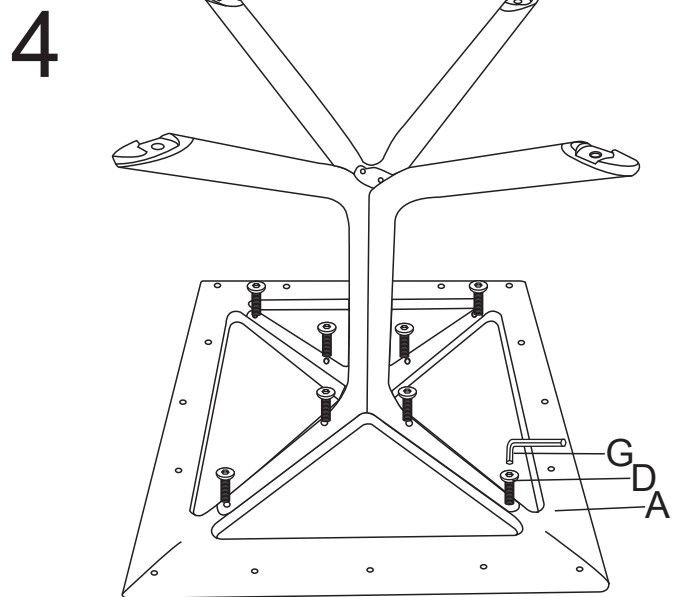
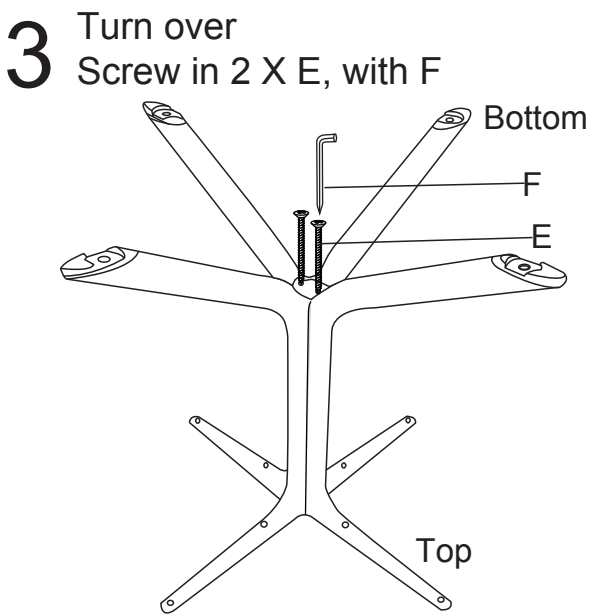
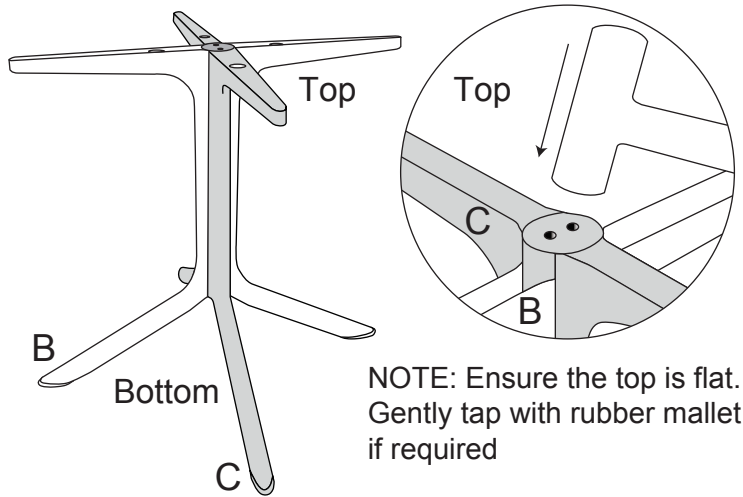
In the unlikely event you have problems putting it together or missing pieces, please contact us. Details below.

### PARTS LIST

|  |  |  |  |   |  |  |
|--|--|--|--|---|--|--|
| <b>A Table top</b><br><br>x 1 | <b>B Leg</b><br><br>x 1 | <b>C Leg</b><br><br>x 1 | <b>D</b><br><br>x 8 | <b>E</b><br><br>x 2 | <b>F</b><br><br>x 1 | <b>G Allen Key</b><br><br>x 1 |
|--|--|--|--|---|--|--|



**2** Slide the legs together  
Make sure the top of B & C line up



Thank you for your purchase.

To learn more about our products please visit [www.chairforce.com.au](http://www.chairforce.com.au) and [www.chairforce.co.nz](http://www.chairforce.co.nz)

**AU:** Call: 08 9436 8570

Email: [customer@brayco.com.au](mailto:customer@brayco.com.au)

**NZ:** Call: 09 271 5000

Email: [sales@chairforce.co.nz](mailto:sales@chairforce.co.nz)



Please recycle these instructions