

CORSPIC166X180
CORSPIC190X220

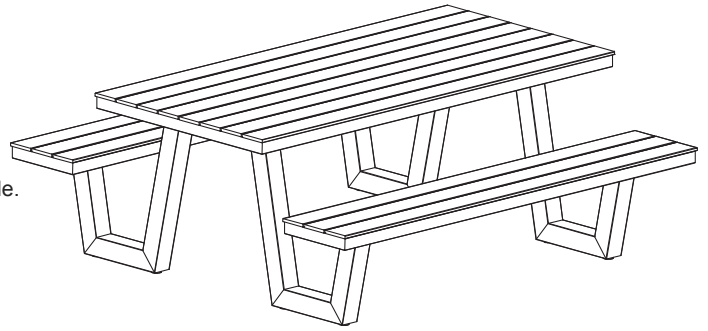


Assembly Instructions Corsica Wave Aluminium Picnic Table

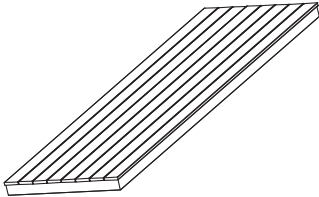
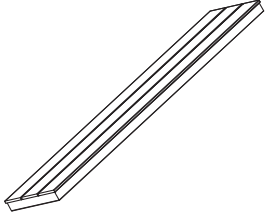
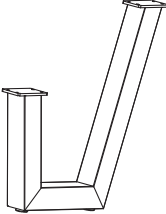
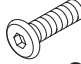



Before assembly please check you have all parts listed below.

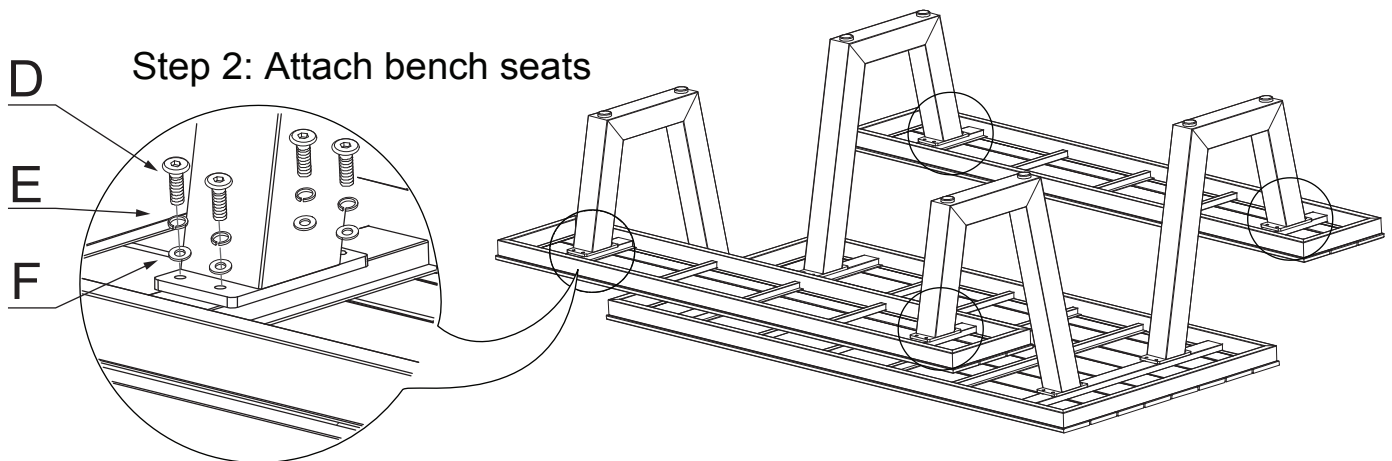
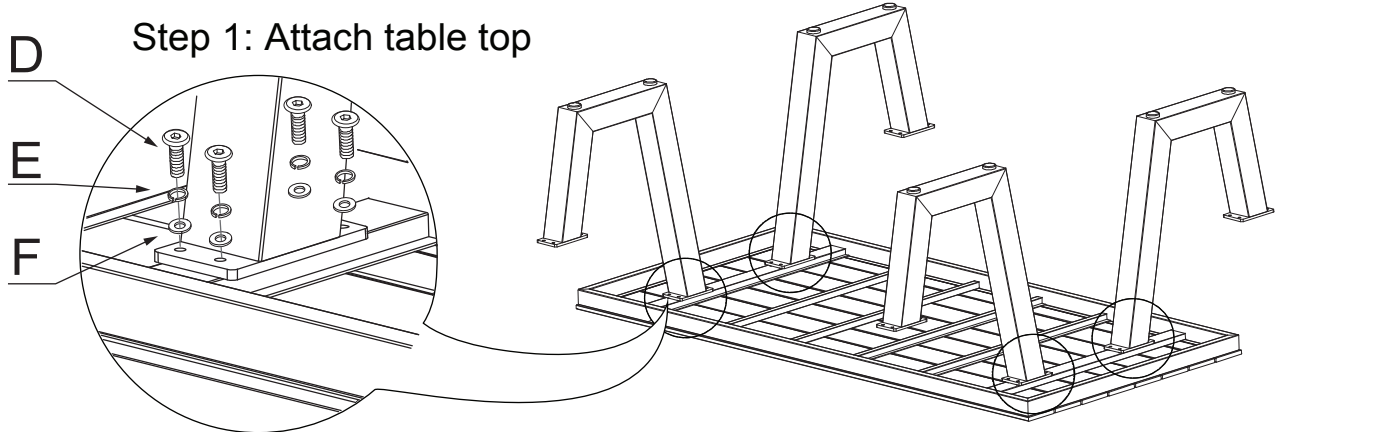
PLEASE NOTE: We've tried to make this table as easy to assemble as possible.

In the unlikely event you have problems putting it together or missing pieces, please contact us.



PARTS LIST

<p>A table top</p>  <p>x 1</p>	<p>B bench seat</p>  <p>x 2</p>	<p>C legs</p>  <p>x 4</p>	<p>D (m6x20 screw)</p>  <p>x 32 + 3</p>	<p>F</p>  <p>x 32</p>
			<p>E</p>  <p>x 32</p>	<p>E allen key</p>  <p>x 1</p>



Thank you for your purchase.

To learn more about our products please visit www.chairforce.com.au and www.chairforce.co.nz

AU: Call: 08 9436 8570 Email: customer@brayco.com.au

NZ: Call: 09 271 5000 Email: sales@chairforce.co.nz



Please recycle these instructions