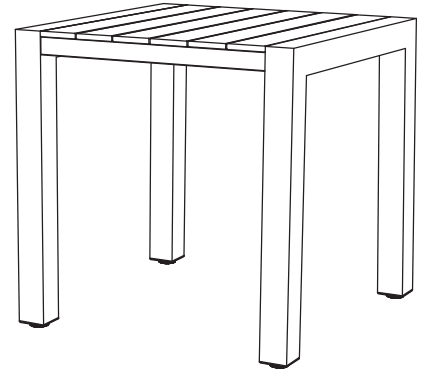


CORSDINSQ84
 CORSDIN151x80
 CORSDIN185x90
 CORSDIN230x90

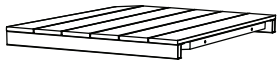
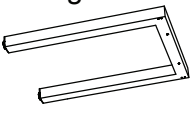
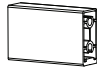

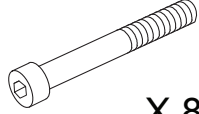




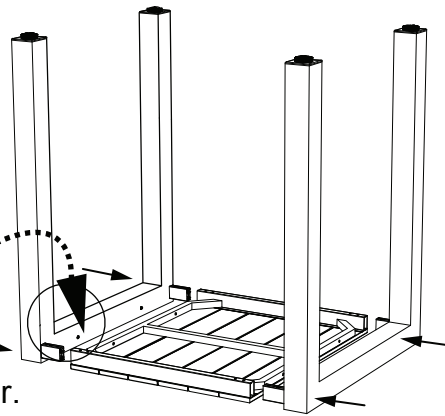


Assembly Instructions Corsica Aluminium Dining Table

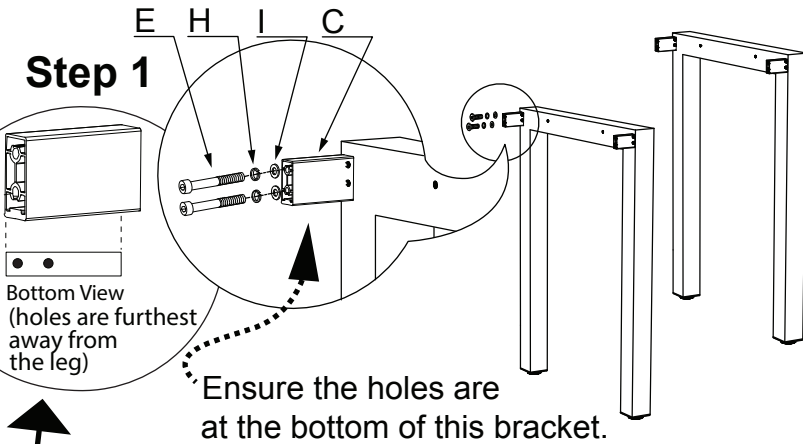


Before assembly please check you have all parts listed below.
 PLEASE NOTE: We've tried to make this table as easy to assemble as possible.
 In the unlikely event you have problems putting it together or missing pieces, please contact us.
 Details below.

PARTS LIST

A table top  X 1	B legs  X 2	C  X 4	D allen key  X 1	E (m6x90 screw)  X 8	F (m6x45 screw)  X 4
G (m6x12 screw)  X 8	H  X 20	I  X 20			

Step 1



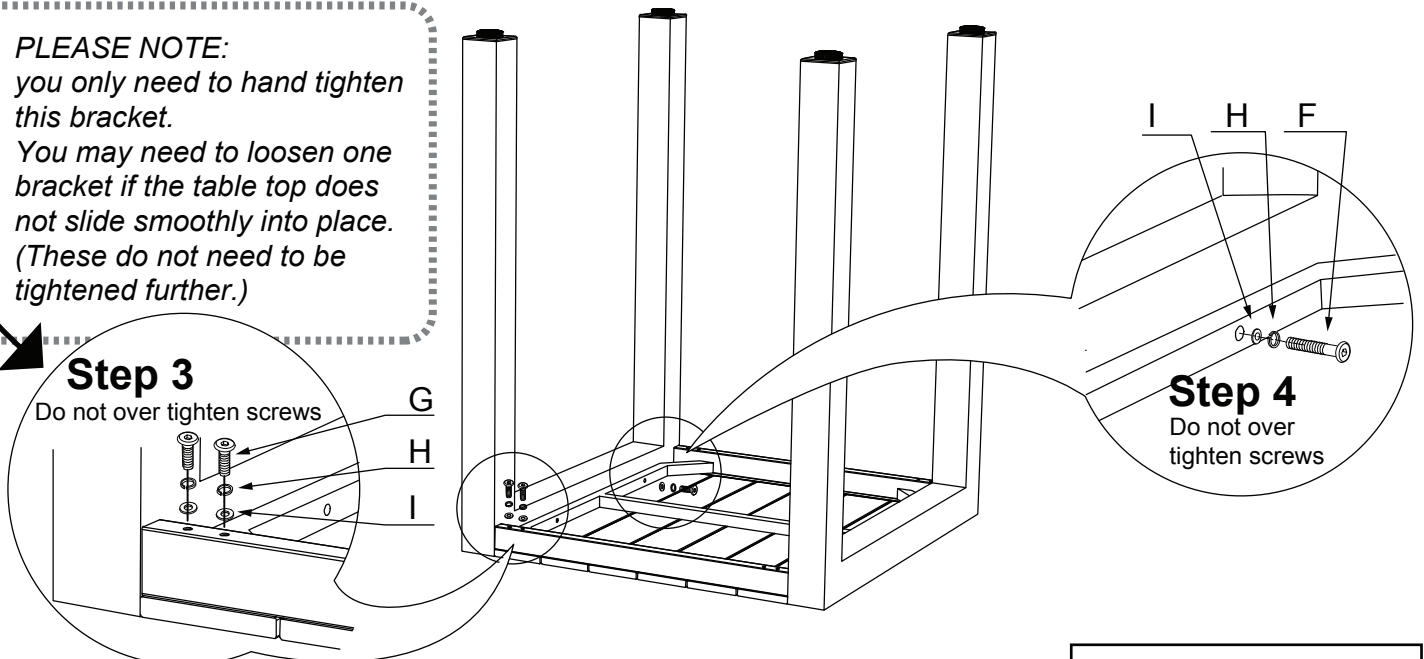
Step 2

Slide together.
 Ensure holes in table top
 & leg bracket line up, (see step 3).

PLEASE NOTE:
 you only need to hand tighten
 this bracket.
 You may need to loosen one
 bracket if the table top does
 not slide smoothly into place.
 (These do not need to be
 tightened further.)

Step 3

Do not over tighten screws



Step 4

Do not over
 tighten screws

Step 5

Now tighten all screws.

Thank you for your purchase.
 To learn more about our products please visit www.chairforce.com.au and www.chairforce.co.nz
AU: Call: 08 9436 8570 Email: customercare@brayco.com.au
NZ: Call: 09 271 5000 Email: sales@chairforce.co.nz